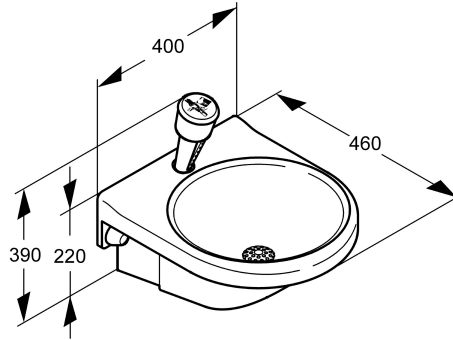


KWC

Eye- and face-wash fountain with water collection basin

Modell-Linie: EMERGENCYSHOWERS | FAID108

Nödduschar | Kran för rengöring av ögon



KWC-No.

2000101103

Eye-wash and face-wash fountain with water collection basin made of green plastic with bracket for wall mounting. Hand shower with hose connection, Meets the requirements of EN 15154-2 and

ANSI Z358.1-2014, green plastic housing, dust protection cap with user instructions. Mounting material included.

Technical Data

ATT-WS-DRIPPAN

Nominell diameter

Typ av passande del

Typ av operation

Ja

DN 15

WALL-INSTALLATION

Avtryckar knapp

Reservdelar



KWC

Safety label eye-washing facility

2000101153

FAID903