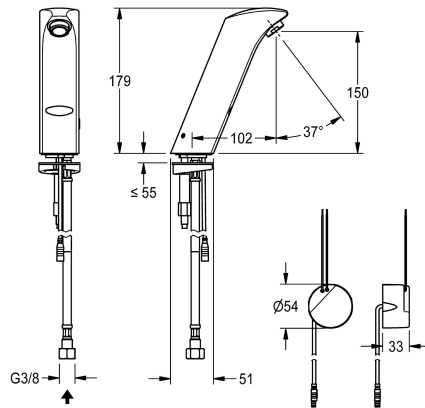


## KWC PROTRONIC-S electronic pillar tap with in-wall power supply

Modell-Linie: PROTRONIC-S | AQUA135  
Taps | Electronic taps



### KWC-No.

**2000102697**

PROTRONIC-S mains-supplied washbasin tap with touch-free operation, DN 15 with aerator and integrated flow control, for connection to pre-mixed

warm or cold water, polished chromium-plated brass. With power supply for installation in the wall, 230 V AC.

### Technical Data

with backflow preventer	no
calculation flow rate cold wat	0.1 l/s
default automatic hygiene flus	not activated
default flow time	60 Seconds
depressurised	no
with filter	yes
functional principle	electronic self-closing
hygiene flushing	yes
diameter nominal	DN 15
inlet size	G 3/8
Locking mechanism	Top section, non-ceramic
material fitting	brass
minimum flow pressure	1 bar
type of mixing	no
Parameterization	remote control
Pop-up waste set	no
power supply connection	230 V AC
position of power connection	from bottom
Type of power supply	Transformer
protective system IP	IP55
with rosettes/cover plate	no
protective shutdown	yes
sound insulation	yes
Spout	fixed
spout projection	102 mm
surface finish fitting	chromed



## KWC

### PROTRONIC-S electronic pillar tap with in-wall power supply

Modell-Linie: PROTRONIC-S | AQUA135

Taps | Electronic taps

surface treatment fitting	polished
temperature limit	no
thermal disinfection	no
with transformer/power supply	yes
type of mounting	tap hole
type of operation	sensor operation
type of sensor	opto-electronic sensor
type of tap	pillar tap
volume flow rate at 3 bar	0.1 l/s
water connection	hose (gland nut)
Accent colour	none
Basic colour	chrome-look (glossy)

### Optional Accessories



#### Remote control

**2000101087**  
ZAQUA091



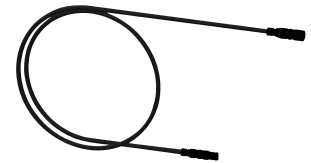
#### Aerator

**2000101160**  
ZAQUA087



#### PURETHERM under-table thermostat

**2030012758**  
PURE0031



#### Extension cable 5 m

**2030043814**  
ACEX9010

### Spare Parts



#### In-wall power supply

**2030039825**  
ACEX9003