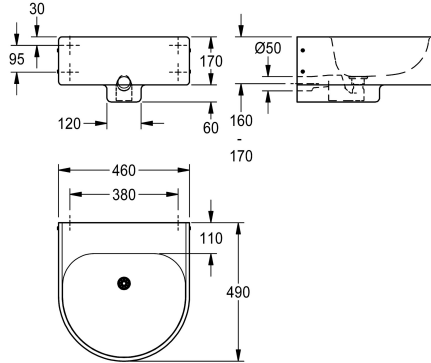


## KWC ANIMA Single washbasin

Modell-Linie: HEAVYDUTY | ANMX460  
Washbasins & Washtroughs | Wash basins



### KWC-No.

**2000102710**

Dimensions 460 x 170 x 490 mm (W x H x D), without tap hole

**2000102711**

With 35 mm diameter tap hole, centered

**2000102712**

Version without tap ledge, dimensions 460 x 170/230 x 410 mm

### overall depth

490 mm

490 mm

1

410 mm

Single wash basin for wall-mounting, made of stainless steel, surface satin finished, material thickness 1.2 mm. Seamless wash basin in one piece with rounded edges, tap landing without tap hole, strainer waste valve, DN 40/50 siphon included, without overflow. Mounting from the front, fixing material included. Wash basin

suitable for areas exposed to vandalism and wheelchair users.

Dimensions of wash basin 460 x 170 x 490 mm (W x H x D)  
Dimensions of bowl 420 x 140 x 360 mm (W x H x D)

### Technical Data

type of basin

Wash basin

bowl position

center

bowl - bowl height

140 mm

bowl finish

satin finished

bowl - depth

360 mm

bowl shape

circle with straight sides

bowl - width

420 mm

colour

no colour

material

stainless steel

material code

1.4301 Chrome Nickel steel V2A

material thickness

1.2 mm

overall depth

490 mm

overall height

230 mm

overall width

460 mm

overflow

no

rear upstand

no

siphon diameter

DN 50

siphon included

yes

spillway

no

splash back

no

surface finish

satin finished

tap ledge

yes





**KWC ANIMA**  
Single washbasin

**Modell-Linie: HEAVYDUTY | ANMX460**  
Washbasins & Washtroughs | Wash basins

tap ledge position	opposing
type of mounting	wall mounting
type of waste kit	welded perforated waste (non r
waste hole position	centre back
waste hole projection	215 mm
waste kit included	yes
waste size	DN 32
waste sleeve included	no