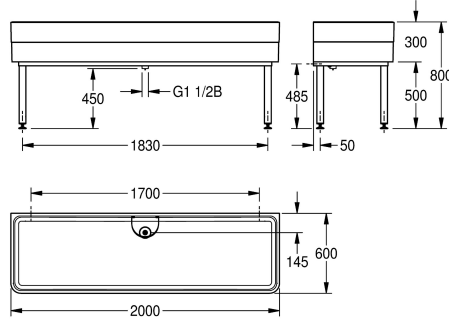


KWC SIRIUS

Workroom sink with stand pipe valve

Modell-Linie: SIRIUS | SIRW774

Utility sinks | Multi purpose sink



KWC-No.

2000102724

Dimensions 2000 x 300/800 x 600 mm (W x H x D)

2000102725

Drain with under-screwed waste unit including removable sludge bucket, DN 40 overflow

Workroom sink made of MIRANIT resin-bonded mineral material with pore-free smooth surface (temperature-resistant up to 80 °C). Basin without tap landing. Large inner radii, bottom of basin with 2° slope. Alpine white colour. Welded substructure frame, powder-coated in basin colour, adjustable base feet. Mounting material included.

Stand pipe valve DN 40 x 200 mm and protective strainer (removable) made of stainless steel.

Dimensions 2000 x 300/800 x 600 mm (W x H x D)
Bowl dimensions 1960 x 283 x 560 mm (W x H x D)

Technical Data

bowl - bowl height
bowl finish
bowl - depth
bowl - width
brushes
drainer or storage
grid
material
material code
number of waste holes
outlet size
overall depth
overall height
overall width
overflow
rear upstand
wash riffle
spillway
splash back
sump
sump basket
surface finish

283 mm
high polished
560 mm
1,960 mm
Without brushes
No
No
mineral material
Miranit
1
DN 40
600 mm
800 mm
2,000 mm
standpipe overflow
No
No
No
No
No
No
No
coated



KWC SIRIUS

Workroom sink with stand pipe valve

Modell-Linie: SIRIUS | SIRW774

Utility sinks | Multi purpose sink

tap ledge	No
type of mounting	wall and floor mounting
type of utility sink	cleaner sink
type of waste kit	stand pipe strainer
upper edge of basin height	800 mm
waste hole position	centre back
waste hole projection	145 mm
waste kit included	Yes
waste size	DN 40