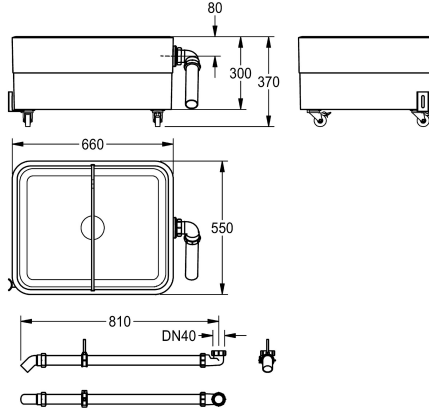


KWC SIRIUS Sludge trap

Modell-Linie: SIRIUS | SIRW759
Utility sinks | Multi purpose sink



KWC-No.

2000102726

Dimensions 660 x 300/370 x 550 mm (W x H x D)

Sludge collecting basin made of MIRANIT resin-bonded mineral material with pore-free smooth surface (temperature-resistant up to 80 °C). Large inner radii. Alpine white colour. Version with 2-chamber system with removable divider made of plastic material, overflow for a controlled outflow into a customer-provided floor

drain. On lockable rolls. DN 50 overflow with PVC pipe elbow on the side. PVC pipe and pipe elbows including mounting material.

Dimensions 660 x 300/370 x 550 mm (W x H x D)

Technical Data

bowl - bowl height
bowl finish
bowl - depth
bowl - width
drainer or storage
grid
material
material code
material code grid
overall depth
overall height
overall width
overflow
rear upstand
sump
surface finish
tap ledge
type of mounting
type of utility sink

510 mm
high polished
280 mm
620 mm
No
No
mineral material
Miranit
Miranit
550 mm
370 mm
660 mm
Yes
No
Yes
high polished
No
no mounting
multi purpose sink