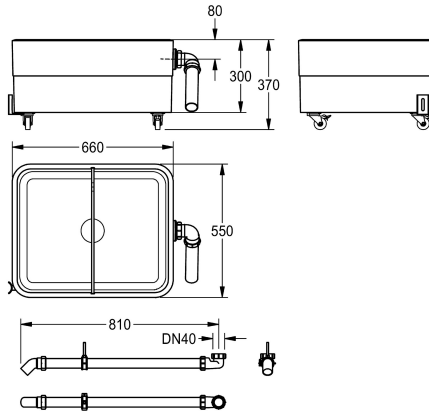


## KWC SIRIUS Sludge trap

Modell-Linie: SIRIUS | SIRW759  
Utility sinks | Multi purpose sink



### KWC-No.

**2000102726**

Dimensions 660 x 300/370 x 550 mm (W x H x D)

Sludge collecting basin made of MIRANIT resin-bonded mineral material with pore-free smooth surface (temperature-resistant up to 80 °C). Large inner radii. Alpine white colour. Version with 2-chamber system with removable divider made of plastic material, overflow for a controlled outflow into a customer-provided floor

drain. On lockable rolls. DN 50 overflow with PVC pipe elbow on the side. PVC pipe and pipe elbows including mounting material.

Dimensions 660 x 300/370 x 550 mm (W x H x D)

### Technical Data

bowl - bowl height

510 mm

bowl finish

high polished

bowl - depth

280 mm

bowl - width

620 mm

drainer or storage

no

grid

no

material

mineral material

material code

Miranit

material code grid

Miranit

overall depth

550 mm

overall height

370 mm

overall width

660 mm

overflow

yes

rear upstand

no

sump

yes

surface finish

high polished

tap ledge

no

type of mounting

no mounting

type of utility sink

multi purpose sink