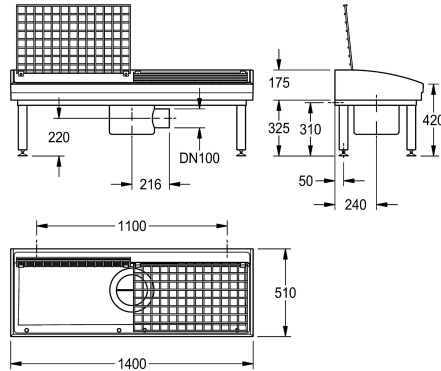


KWC SIRIUS

Shoe- and boot-cleaning unit

Modell-Linie: SIRIUS | SIRW721A

Utslagsback | Rengöringsenheter för skor och kängor



KWC-No.

2000102727

With integrated trap with 2 cleaning places, dimensions 1400 x 175/500 x 510 mm (W x H x D)

2000102728

for on-site trap with 2 cleaning places

Total bredd

1,400 mm

1,400 mm

Shoe and boot cleaning unit made of MIRANIT resin-bonded mineral material with pore-free smooth surface (temperature-resistant up to 80 °C). For wall mounting. Large inner radii, bottom of basin with 2° slope. Alpine white colour. Drain with under-screwed waste unit with DN 100 horizontal outlet including removable sludge bucket made of stainless steel. Waste unit rotatable by 90°. One hinged

grating made of stainless steel for each wash place. Welded substructure frame, powder-coated in basin colour, adjustable base feet. Mounting material included.

Dimensions 1400 x 175/500 x 510 mm (W x H x D)

Technical Data

Borstar
Galler
Material
Materialkod
Utloppets storlek
Övergripande djup
Total höjd
Total bredd
Utslagsback
Avlopps brunn
Avlopps behållare
Ytfinish
Kran hylla
Typ av montering
Antal tvättplatser
Avfalls håls placering

Optimal
Gångjärn
Mineralmaterial
Miranit
DN 100
510 mm
500 mm
1,400 mm
Nej
Ja
Ingår
Högglanspolerad
Nej
Väggmontering
2
Mitten

Extratillbehör

KWC SIRIUS

Shoe- and boot-cleaning unit

Modell-Linie: SIRIUS | SIRW721A

Utslagsback | Rengöringsenheter för skor och kängor



Device-connecting valve

2000101470
ZSIRW001



Suspension hook

2000101471
ZSIRW002



SIRIUS Hand brush

2000101473
ZSIRW003