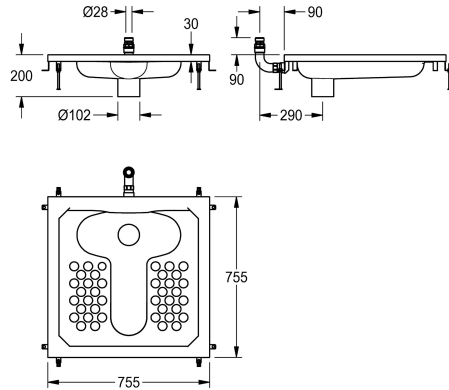


## KWC CAMPUS

### Squat pan

Modell-Linie: **CAMPUS | CMPX504**

WCs and urinals | Squat pans



#### KWC-No.

**2000102732**

Dimensions 755 x 200 x 755 mm (W x H x D)

Squat pan made of stainless steel, suitable for DN 20 in-wall flush valves, surface satin finished, material thickness 1 mm, 9 liter flushing capacity, with circular folded edge (22 mm) and circular flushing rim. Vertical connection from behind with screw connection

of 28 mm diameter, internal DN 100 waste outlet, fixing material and height adjustment included.

Dimensions 753 x 196 x 753 mm (W x H x D)

#### Technical Data

|                     |
|---------------------|
| material            |
| material code       |
| material thickness  |
| outlet size         |
| overall depth       |
| overall height      |
| overall width       |
| surface finish      |
| type of mounting    |
| type of toilet seat |
| type of WC          |

|                                |
|--------------------------------|
| stainless steel                |
| 1.4301 Chrome Nickel steel V2A |
| 1 mm                           |
| DN 100                         |
| 755 mm                         |
| 200 mm                         |
| 755 mm                         |
| satin finished                 |
| inset floor mounting           |
| no seat                        |
| squat-pan                      |

#### Optional Accessories



#### CAMPUS Mounting support

**2000102731**

#### Trap

**2000102733**

#### Trap

**2000102734**



**KWC** CAMPUS  
Squat pan

**Modell-Linie: CAMPUS | CMPX504**  
WCs and urinals | Squat pans

ZCMPX004

---

ZCMPX002

---

ZCMPX003

---