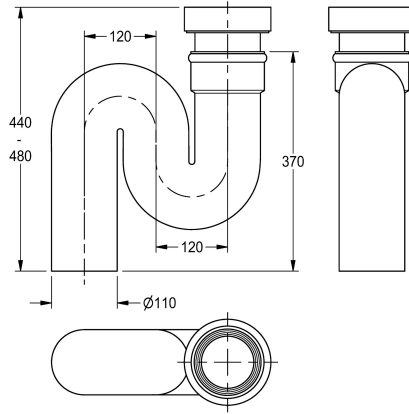


## KWC

### Trap

Modell-Linie: WC-FACILITIES | ZCMPX002

WCs and urinals | Complementary parts urinals / WC



#### KWC-No.

**2000102733**

Trap, vertical outlet DN 100

**2000102734**

Trap, horizontal outlet DN 100

Siphon, black colour, connection DN 100, vertical outlet

#### Technical Data

quantity

1

quantity uom

piece