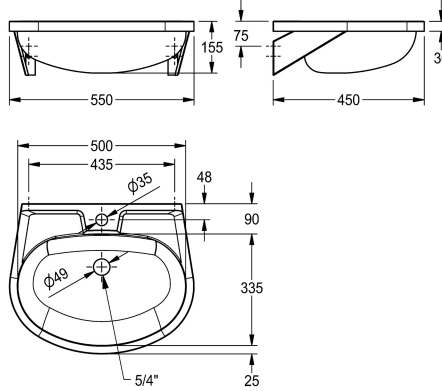


## KWC ANIMA Single washbasin

Modell-Linie: ANIMA | BS205-M  
Washbasins & Washtroughs | Wash basins



### KWC-No.

**2000090016**

Without tap hole

**2000103078**

Without overflow, with 35 mm diameter tap hole, centered, 1 1/4 flat perforated waste

**2000090017**

With overflow, without tap hole, 1 1/4 stopper valve

**2000103080**

With overflow, with 35 mm diameter tap hole, centered, 1 1/4 stopper valve

### overflow

no	
no	1
yes	
yes	1

Single wash basin for wall mounting, stainless steel, surface satin finished, material thickness 1 mm, seamless welded bowl with diameter 500 x 155 x 335 mm, oval shape, 90 mm tap ledge, prewelded mounting brackets, with soap dish, includes screws and

dowels.

Plug valve with 1 1/4" with overflow and tap hole  
Dimensions 550 x 155 x 450 mm (W x H x D)

### Technical Data

type of basin
bowl position
bowl - bowl height
bowl finish
bowl - depth
bowl shape
bowl - width
colour
material
material code
material thickness
overall depth
overall height
overall width
overflow
overflow position
rear upstand
siphon diameter
siphon included
splash back

Wash basin
center
155 mm
satin finished
335 mm
oval
500 mm
no colour
stainless steel
1.4301 Chrome Nickel steel V2A
1 mm
450 mm
155 mm
550 mm
yes
back
no
DN 32
no
no

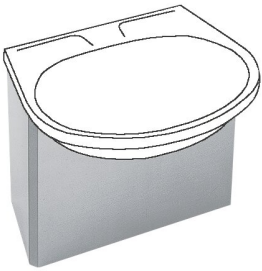


## KWC ANIMA Single washbasin

**Modell-Linie: ANIMA | BS205-M**  
Washbasins & Washtroughs | Wash basins

surface finish	satin finished
number of tap holes	1
tap hole diameter	35 mm
tap hole position	middle
tap ledge	yes
type of mounting	wall mounting
type of waste kit	plug waste
waste hole position	centre back
waste hole projection	190 mm
waste kit included	yes
waste size	DN 32
waste sleeve included	no

### Optional Accessories



#### ANIMA trap cover

**2000058442**  
BS206

### Spare Parts

#### Fixing set

**2000103414**  
ECMPX023