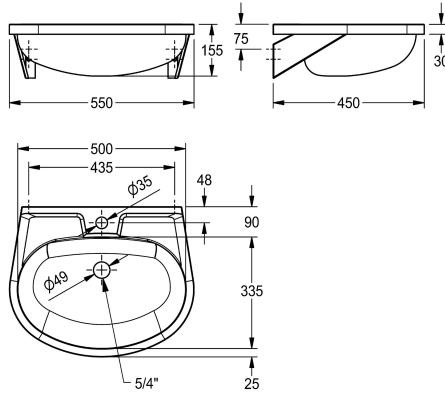


KWC ANIMA Single washbasin

Modell-Linie: ANIMA | BS205-M
Washbasins & Washtroughs | Wash basins



KWC-No.

2000090016

Without tap hole

2000103078

Without overflow, with 35 mm diameter tap hole, centered, 1 1/4 flat perforated waste

2000090017

With overflow, without tap hole, 1 1/4 stopper valve

2000103080

With overflow, with 35 mm diameter tap hole, centered, 1 1/4 stopper valve

overflow

no

no

1

yes

yes

1

Single wash basin for wall mounting, stainless steel, surface satin finished, material thickness 1 mm, seamless welded bowl with diameter 500 x 155 x 335 mm, oval shape, 90 mm tap ledge, prewelded mounting brackets, with soap dish, includes screws and

dowels.

Plug valve with 1 1/4" with overflow and tap hole
Dimensions 550 x 155 x 450 mm (W x H x D)

Technical Data

type of basin

Wash basin

bowl position

center

bowl - bowl height

155 mm

bowl finish

satin finished

bowl - depth

335 mm

bowl shape

oval

bowl - width

500 mm

colour

no colour

material

stainless steel

material code

1.4301 Chrome Nickel steel V2A

material thickness

1 mm

overall depth

450 mm

overall height

155 mm

overall width

550 mm

overflow

yes

overflow position

back

rear upstand

no

siphon diameter

DN 32

siphon included

no

splash back

no

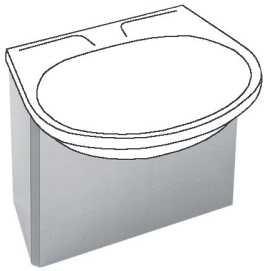


KWC ANIMA Single washbasin

Modell-Linie: ANIMA | BS205-M
Washbasins & Washtroughs | Wash basins

surface finish	satin finished
number of tap holes	1
tap hole diameter	35 mm
tap hole position	middle
tap ledge	yes
type of mounting	wall mounting
type of waste kit	plug waste
waste hole position	centre back
waste hole projection	190 mm
waste kit included	yes
waste size	DN 32
waste sleeve included	no

Optional Accessories



ANIMA trap cover

2000058442
BS206