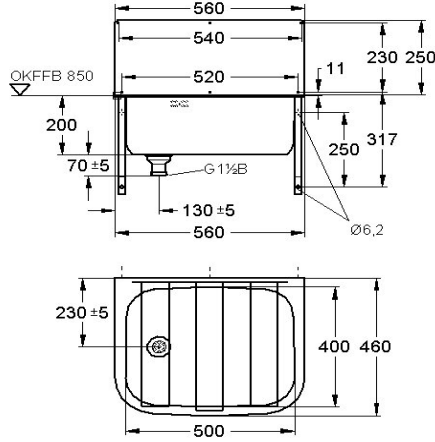


KWC SIRIUS Utility sink, grid, splashback

Modell-Linie: SIRIUS | SIRX364
Utility sinks | Cleaners sinks



KWC-No.

2000103260

With wire shelf and splashback

Wall mounted cleaners sink made of stainless steel, surface satin finished, material thickness 1.0 mm. Without tap landing, with 20 mm rear upstand, G 1 1/2 B waste and overflow set, left centred,

with integrated wall brackets, mounting material included.

Dimensions 560 x 200 x 460 mm (W x H x D)

Technical Data

splash back height
bowl position
bowl construction
bowl - bowl height
bowl finish
bowl - depth
bowl - width
brushes
drainer or storage
grid
grid material
material
material code
material code grid
material thickness
number of waste holes
outlet size
overall depth
overall height
overall width
overflow
rear upstand
wash riffle
spillway
splash back
sump

250 mm
center
radius corners
200 mm
satin finished
400 mm
500 mm
Without brushes
no
hinged
stainless steel
stainless steel
1.4301 Chrome Nickel steel V2A
1.4301 Chrome Nickel steel V2A
1 mm
1
G 1 1/2 B
460 mm
200 mm
560 mm
yes
no
no
yes
yes
no



KWC SIRIUS

Utility sink, grid, splashback

Modell-Linie: SIRIUS | SIRX364

Utility sinks | Cleaners sinks

sump basket	no
surface finish	satın finished
tap ledge	no
type of mounting	wall mounting
type of utility sink	multi purpose sink
number of wash places	1
waste hole position	left centre
waste hole projection	230 mm
waste kit included	yes
waste size	DN 40