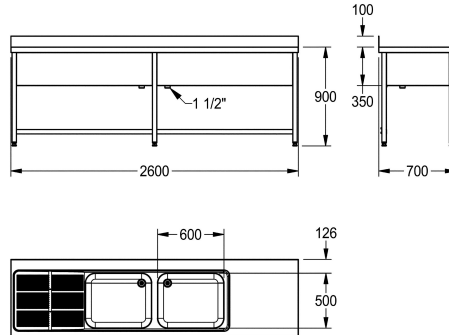


KWC MAXIMA SET commercial sink

Modell-Linie: MAXIMA | MAXL227-260 SET
Catering sinks | Catering sinks



KWC-No.

2000104004

Set consisting of MAXL227-260 + frame MAXF260-70 for screw fixing

Commercial sink and underframe welded together, stainless steel, surface satin finished, material thickness 1 mm, two deep drawn seamless welded bowls, without overflow and 80 mm tap ledge, 1 1/2" waste with two part overflow tube consisting of perforated stainless steel tube and plastic tube, drain board with riffle and slanted to bowl, storage board left or right, drain board on opposite side of drain board, drain board with reinforced stainless steel

bracket, 100 mm rear upstand, underframe with 300 mm cover, feet 40x40 mm and height adjustable to 25 mm, cross stud on backside for better stability, drilling holes for wall mounting prelasered.

Set consisting of MAXL227-260 + underframe MAXF260-70 to screw

Technical Data

bowl - bowl height	300 mm
bowl finish	satin finished
bowl - depth	500 mm
bowl - width	600 mm
drainer position	left
drainer or storage	drainer and storage
drainer / storage board quanti	2-Screens, monitors etc
material	stainless steel
material code	1.4301 Chrome Nickel steel V2A
material thickness	1 mm
noise prevention	Yes
overall depth	700 mm
overall height	1,000 mm
overall width	2,600 mm
rear upstand	Yes
surface finish	satin finished
tap ledge	Yes
type of mounting	mounted on product
waste hole position	right back corner
waste hole projection	216 mm
waste kit included	Yes
waste size	DN 40