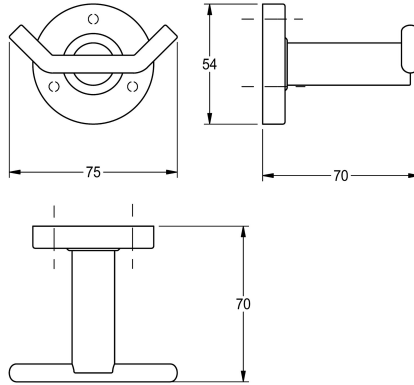


KWC MEDIUS Double robe hook

Modell-Linie: MEDIUS | MEDX0110HP
Accessoires Hotel & Residential | Towel & robe holder Hotel



KWC-No.

2000106261

Surface high polished Dimensions 75 x 54 x 70 mm (W x H x D)

2000106260

Surface satin finished

surface finish

high polished

satin finished

Double robe hook for wall mounting, 304 stainless steel, round cover to conceal the fixing of screws, includes stainless steel screws and dowels.

Surface high polished
Dimensions 75 x 54 x 70 mm (W x H x D)

Technical Data

number of hooks

2

material

stainless steel

material code

1.4301 Chrome Nickel steel V2A

overall depth

70 mm

overall height

54 mm

overall width

75 mm

surface finish

high polished

type of fixing

screw

type of mounting

wall mounting