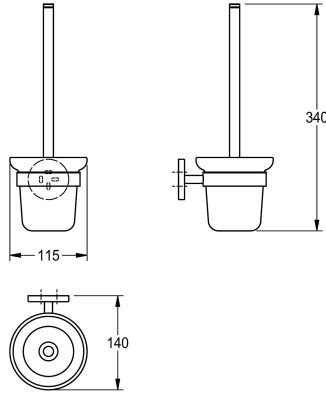


KWC FIRMUS Toilet brush holder

Modell-Linie: **FIRMUS | FIRX005HP**
Accessoires Hotel & Residential | Toilet brush holders Hotel & Res.



KWC-No.

2000106273

Surface high polished Dimensions 115 x 340 x 140 mm (W x H x D)

Toilet brush holder for wall mounting, 304 stainless steel handle with nylon brush, glass cup, round covers to conceal the fixing of screws, includes stainless steel screws and dowels.

surface finish

high polished

Surface high polished
Dimensions 115 x 340 x 140 mm (W x H x D)

Technical Data

brush colour
material
material code
overall depth
overall height
overall width
surface finish
type of brush
type of fixing
type of mounting

white
stainless steel
1.4301 Chrome Nickel steel V2A
140 mm
340 mm
115 mm
high polished
nylon
screw
wall mounting