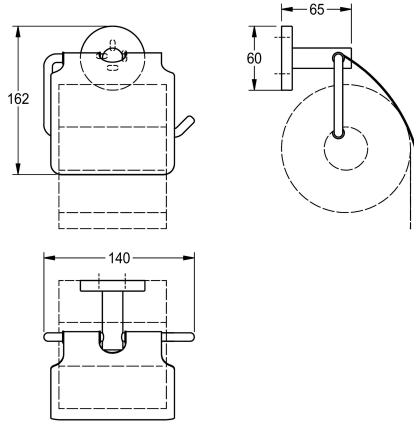


## KWC FIRMUS

FIRMUS Toilet roll holder for wall mounting

Modell-Linie: FIRMUS | FIRX111

Accessoires Hotel & Residential | WC roll holder Hotel & Res.



### KWC-No.

**2000106289**

Surface high polished Dimensions 140 x 162 x 65 mm (W x H x D)

**2000106288**

### surface finish

high polished

satin finished

Toilet roll holder for wall mounting, 304 stainless steel, for 1 roll with max. Ø 130 mm, stainless steel folding cover, round covers with drilled hole on bottom for fixation, includes stainless steel screws and dowels.

Surface satin finished  
Dimensions 140 x 162 x 65 mm (W x H x D)

### Technical Data

filling quantity	1
lock	no lock
material	stainless steel
material code	1.4301 Chrome Nickel steel V2A
overall depth	65 mm
overall height	162 mm
overall width	140 mm
spindle	no
surface finish	satin finished
type of fixing	screw
type of mounting	wall mounting

1
no lock
stainless steel
1.4301 Chrome Nickel steel V2A
65 mm
162 mm
140 mm
no
satin finished
screw
wall mounting