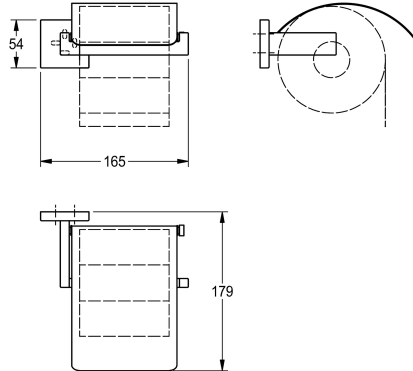


KWC CUBUS Toilet roll holder

Modell-Linie: CUBUS | CUBX111HP
Accessoires Hotel & Residential | WC roll holder Hotel & Res.



KWC-No.

2000106363

Surface high polished Dimensions 165 x 54 x 179 mm (W x H x D)

2000106362

Surface satin finished

surface finish

high polished

satin finished

Toilet roll holder for wall mounting, 304 stainless steel, for 1 roll with max. diameter 130 mm, stainless steel folding cover, square cover with drilled hole on bottom for fixation, includes stainless steel screws and dowels.

Surface high polished
Dimensions 165 x 54 x 179 mm (W x H x D)

Technical Data

filling quantity

1

lock

no lock

material

stainless steel

material code

1.4301 Chrome Nickel steel V2A

overall depth

179 mm

overall height

54 mm

overall width

165 mm

spindle

no

surface finish

high polished

type of fixing

screw

type of mounting

wall mounting