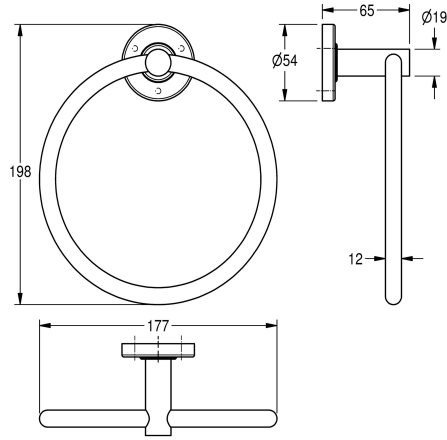


## KWC MEDIUS

### Towel ring

Modell-Linie: MEDIUS | MEDX104HP

Accessoires Hotel & Residential | Towel & rob holder Hotel



#### KWC-No.

**2000106385**

Surface high polished Dimensions 177 x 198 x 65 mm (W x H x D)

#### surface finish

high polished

Towel ring for wall mounting, 304 stainless steel, round covers to conceal the fixing of screws, includes stainless steel screws and dowels.

Surface high polished  
Dimensions 177 x 198 x 65 mm (W x H x D)

#### Technical Data

|                  |
|------------------|
| material         |
| material code    |
| overall depth    |
| overall height   |
| overall width    |
| surface finish   |
| type of fixing   |
| type of mounting |

|                                |
|--------------------------------|
| stainless steel                |
| 1.4301 Chrome Nickel steel V2A |
| 65 mm                          |
| 198 mm                         |
| 177 mm                         |
| high polished                  |
| screw                          |
| wall mounting                  |