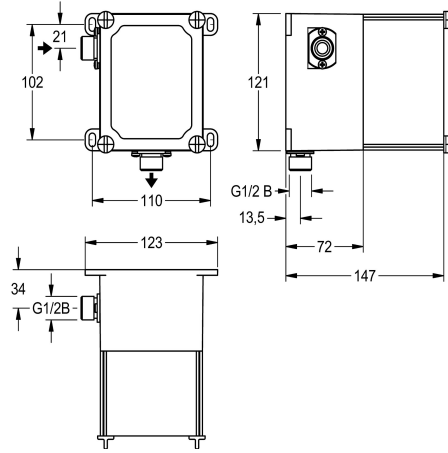


KWC

Basic installation kit for in-wall urinal flush valves

Modell-Linie: **PROTRONIC | AQLN006**

Flushing systems | Basic installation kits for flushing system



KWC-No.

2000107414

Basic installation kit

Basic installation kit for manual or touch-free urinal flush valve for in-wall installation. Plastic box for in-wall installation, 95 x 120 mm, water path with integrated lockable water volume control and

holder for self-closing solenoid valve cartridge and strainer, supplied with plug for flushing and leak test.

Technical Data

application

urinal flushing

Built-in fitting model

Built-in section

diameter nominal

DN 15

material

synthetic

minimum wall thickness

72 mm

type of mixing

No

outlet size

G 1/2 B

type

for built-in with box

type of mounting

in-wall installation with box