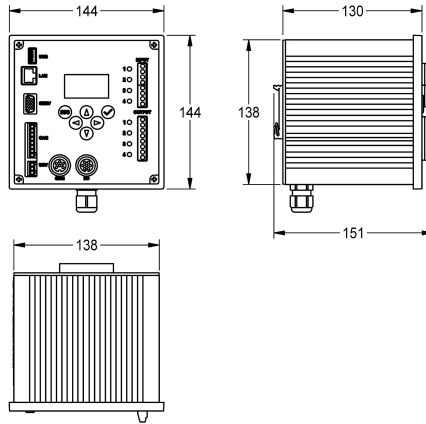


KWC AQUA 3000 open ECC2 function controller

Modell-Linie: AQUA3000OPEN | ZA3OP0011

Water management systems | Complementary parts water management



KWC-No.

2000108123

ECC2 function controller

2030016282

Version including BacNet-IP, KNX-IP and ModBus-TCP GLT-data protocols

ECC2 function controller - A3000 open with Ethernet and CAN bus connection for the fittings level and with integrated power supply, real-time clock with calendar function and WEB server. For connecting 32 AQUA 3000 open fittings/electronic system modules

or up to 200 m cable length for the purpose of supplying power and external control, e.g. for adjusting fittings and for communication, 230 V AC / 24 V DC.

Technical Data

communication
compatible A3000 open
input supply voltage V
maximum cable length
maximum output current
output voltage
power switch
protective system IP
output voltage UOM

yes
yes
230 Volt
200 Meter
60 Voltampere
24 Volt
no
IP20
DC



Mandatory Accessories



Terminating resistor

2000100847

KWC AQUA 3000 open ECC2 function controller

Modell-Linie: AQUA3000OPEN | ZA3OP0011

Water management systems | Complementary parts water management

ZAQUA014

Optional Accessories



Uninterruptible power supply

2000100977
ZAQUA006



**Operation box for ECC2 function
controller**

2030068513
ZA3OP0034
