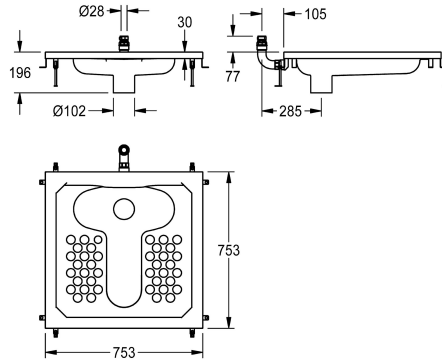


KWC HEAVY-DUTY Squat pan

Modell-Linie: **CAMPUS | HDTX504**
WCs and urinals | Squat pans



KWC-No.

2000108804
CAMPUS Squat pan

Squat pan made of stainless steel, suitable for DN 20 in-wall flush valves, surface satin finished, material thickness 1 mm, 9 liter flushing capacity, with circular folded edge (22 mm), circular flushing rim, suicide-resistant. Vertical connection from behind with

screw connection of 28 mm diameter, internal DN 100 waste outlet, fixing material and height adjustment included.

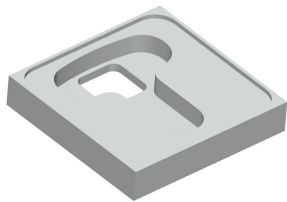
Dimensions 755 x 200 x 755 mm (W x H x D)

Technical Data

material	stainless steel
material code	1.4301 Chrome Nickel steel V2A
material thickness	1 mm
outlet size	DN 100
overall depth	755 mm
overall height	200 mm
overall width	755 mm
type of mounting	inset floor mounting
type of toilet seat	no seat
type of WC	squat-pan



Optional Accessories



CAMPUS Mounting support

2000102731
ZCMPX004



Trap

2000102733
ZCMPX002



Trap

2000102734
ZCMPX003



KWC HEAVY-DUTY
Squat pan

Modell-Linie: CAMPUS | HDTX504
WCs and urinals | Squat pans