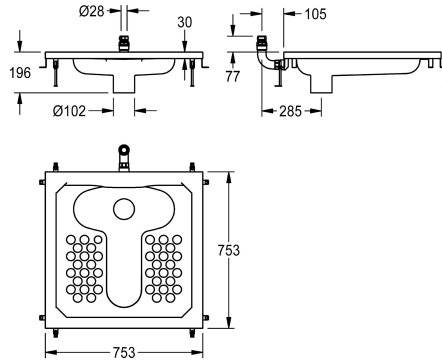


KWC HEAVY-DUTY Squat pan

Modell-Linie: **CAMPUS | HDTX504**
WC och urinoarer | Squat toaletter



KWC-No.

2000108804
CAMPUS Squat pan

Squat pan made of stainless steel, suitable for DN 20 in-wall flush valves, surface satin finished, material thickness 1 mm, 9 liter flushing capacity, with circular folded edge (22 mm), circular flushing rim, suicide-resistant. Vertical connection from behind with

screw connection of 28 mm diameter, internal DN 100 waste outlet, fixing material and height adjustment included.

Dimensions 755 x 200 x 755 mm (W x H x D)

Technical Data

| | |
|--------------------|-----------------------|
| Material | Rostfritt stål |
| Materialkod | 1.4301 |
| Material tjocklek | 1 mm |
| Utloppets storlek | DN 100 |
| Övergripande djup | 755 mm |
| Total höjd | 200 mm |
| Total bredd | 755 mm |
| Typ av montering | Inbyggd galv motering |
| Typ av toalettsits | NO-SEAT |
| Typ av WC | Kvadratisk-skål |



Extratillbehör



Trap

2000102733
ZCMPX002



Trap

2000102734
ZCMPX003



KWC HEAVY-DUTY
Squat pan

Modell-Linie: CAMPUS | HDTX504
WC och urinoarer | Squat toaletter