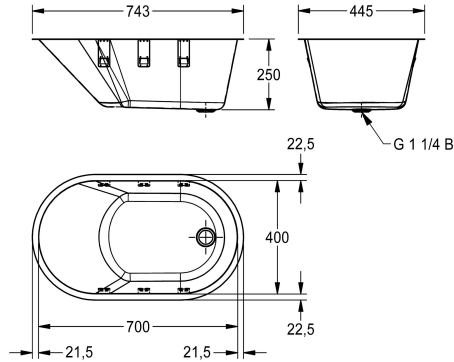


KWC CAMPUS

Baby bathtub

Modell-Linie: **CAMPUS | CMPX0071**

Hospital equipment | Baby baths



KWC-No.

2000111230

Baby bathtub without overflow, with waste and overflow with excentric waste and overflow set

2000111231

Baby bathtub with waste and overflow fitting and plug waste set

2000111232

Baby bathtub with waste and overflow with eccentric waste and overflow fitting set

Baby bathtub, installed from above, made of chrome-nickel steel, satin finished surface, material thickness 1.2 mm, without overflow, overflow fitting with plug waste set DN 40, contents 10 L.

Dimensions 743 x 250 x 445 mm (W x H x D)
Bowl dimensions 700 x 250 x 400

Technical Data

material	stainless steel
material code	1.4301 Chrome Nickel steel V2A
material thickness	1.2 mm
overall depth	400 mm
overall height	250 mm
overall width	700 mm
surface finish	satin finished
type of mounting	inset mounting

material	stainless steel
material code	1.4301 Chrome Nickel steel V2A
material thickness	1.2 mm
overall depth	400 mm
overall height	250 mm
overall width	700 mm
surface finish	satin finished
type of mounting	inset mounting