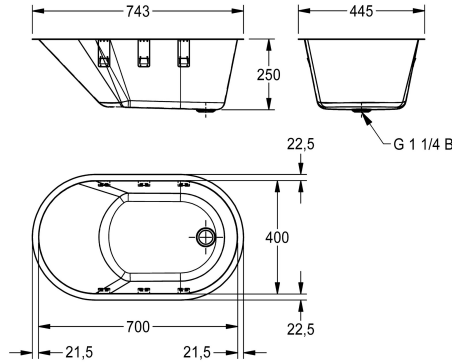


KWC CAMPUS

Baby bathtub

Modell-Linie: **CAMPUS | CMPX0071**

Sjukhus utrustning | Bad för barn



KWC-No.

2000111230

Baby bathtub without overflow, with waste and overflow with excentric waste and overflow set

2000111231

Baby bathtub with waste and overflow fitting and plug waste set

2000111232

Baby bathtub with waste and overflow with eccentric waste and overflow fitting set

Baby bathtub, installed from above, made of chrome-nickel steel, satin finished surface, material thickness 1.2 mm, without overflow, overflow fitting with plug waste set DN 40, contents 10 L.

Dimensions 743 x 250 x 445 mm (W x H x D)
Bowl dimensions 700 x 250 x 400

Technical Data

Material	Rostfritt stål
Materialkod	1.4301
Material tjocklek	1.2 mm
Övergripande djup	400 mm
Total höjd	250 mm
Total bredd	700 mm
Ytfinish	Satin yta
Typ av montering	Inbyggd montering

Material	Rostfritt stål
Materialkod	1.4301
Material tjocklek	1.2 mm
Övergripande djup	400 mm
Total höjd	250 mm
Total bredd	700 mm
Ytfinish	Satin yta
Typ av montering	Inbyggd montering