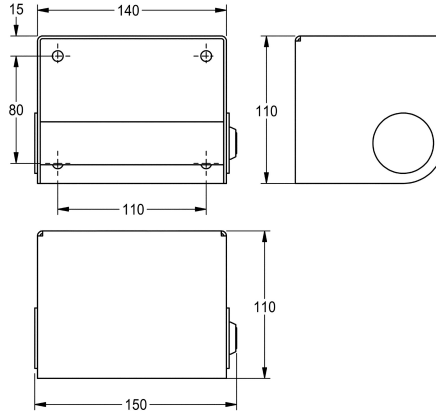


KWC HEAVY-DUTY Toilet roll holder

Modell-Linie: HEAVYDUTY | HDTX0001
Accessories | WC-roll holders



KWC-No.

2030005623

Dimensions 150 x 110 x 110 mm (W x H x D)

Toilet roll holder for wall mounting, stainless steel, surface satin finished, material thickness 14 gauge (2 mm), replaceable spindle secured by heavy-duty lock, for 1 roll with maximum 130 mm width,

includes stainless steel screws and dowels.

Dimensions 140 x 110 x 110 mm (W x H x D)

Technical Data

maximum depth/diameter of cons	150 mm
maximum width of consumable	130 mm
filling quantity	1
filling quantity uom	rolls
lock	key-lock
material	stainless steel
material code	1.4301 Chrome Nickel steel V2A
material thickness	2 mm
overall depth	110 mm
overall height	110 mm
overall width	140 mm
spindle	Yes
surface finish	satin finished
type of fixing	screw
type of mounting	wall mounting

