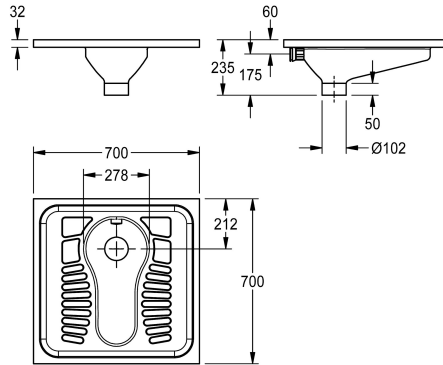


KWC CAMPUS Squat pan

Modell-Linie: **CAMPUS | CMPX502N**
WCs and urinals | Squat pans



KWC-No.

2030018490

Dimensions 700 x 235 x 700 mm (W x H x D)

2030023692

Version without spreader

Squat pan for recessed or inset mounting, stainless steel, surface satin finished, material thickness 1.2 mm, DN 100 waste, drainage into ground, slip resistant patterned foot tread plate areas, suitable for recessed mounting into floor.

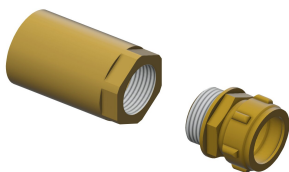
With spreader for connection of 40 mm outer diameter flushing pipe.
Dimensions 700 x 235 x 700 mm (W x H x D)

Technical Data

| | |
|---------------------------|--------------------------------|
| inlet size | DN 40 |
| material | stainless steel |
| material code | 1.4301 Chrome Nickel steel V2A |
| material thickness | 1.2 mm |
| minimum flushing capacity | 6 Liter |
| outlet size | DN 100 |
| overall depth | 700 mm |
| overall height | 235 mm |
| overall width | 700 mm |
| surface finish | satin finished |
| type of mounting | inset floor mounting |
| type of toilet seat | no seat |
| type of WC | squat-pan |

| | |
|---------------------------|--------------------------------|
| inlet size | DN 40 |
| material | stainless steel |
| material code | 1.4301 Chrome Nickel steel V2A |
| material thickness | 1.2 mm |
| minimum flushing capacity | 6 Liter |
| outlet size | DN 100 |
| overall depth | 700 mm |
| overall height | 235 mm |
| overall width | 700 mm |
| surface finish | satin finished |
| type of mounting | inset floor mounting |
| type of toilet seat | no seat |
| type of WC | squat-pan |

Mandatory Accessories



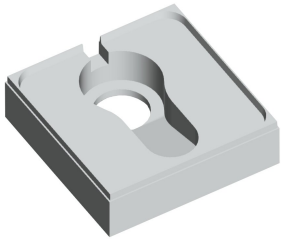
KWC CAMPUS Squat pan

Modell-Linie: **CAMPUS | CMPX502N**
WCs and urinals | Squat pans

CAMPUS connection set, squat toilet

2030027502
ZCMPX007

Optional Accessories



CAMPUS mounting support for squat toilet

2030027861
ZCMPX0011



Trap

2000102734
ZCMPX003



Trap

2000102733
ZCMPX002
