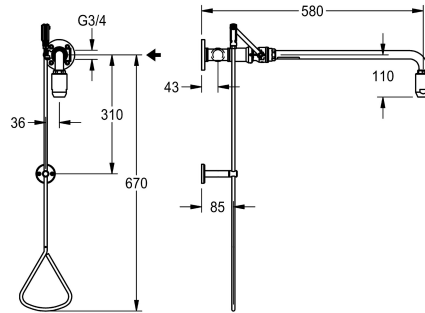
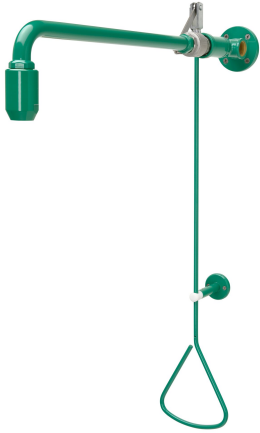


KWC

Emergency shower activated by a pull-rod with water supply from the ceiling or from the right

Modell-Linie: EMERGENCYSHOWERS | FAID0006

Nödduschar | Dusch av hela kroppen



KWC-No.

2030019084

Pull-rod operated emergency shower, for surface mounting, with water supply from the ceiling or from the right, valve operated by triangular handle. With wall bracket and emergency shower head. Non-self-closing, the water flow is stopped by pushing up the pull rod, green EPS coating (RAL 6032), complies with EN 15154, Part

1, includes the "emergency shower" safety symbol on an adhesive label in compliance with ISO 3864, Part 1 and user instructions. Volumetric flow rate approx. 65 l/min at 1 bar pressure, approx. 110 l/min at 3 bar pressure, water connection G 3/4.

Technical Data

Färg
Sprut kastare
Typ av anslutning
Typ av passande del
ATT-WS-VOLFLOWRATE1
ATT-WS-VOLFLOWRATE3

Grön
588 mm
PIPE-CONNECTION
Väggmonterad
1.08 l/s
1.83 l/s

Extratillbehör



Extension for coupling-rod

2030061050
ZFAID0003

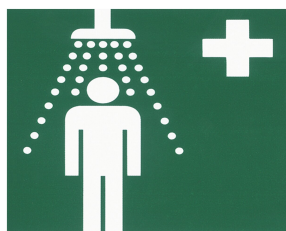
Reservdelar

KWC

Emergency shower activated by a pull-rod with water supply from the ceiling or from the right

Modell-Linie: EMERGENCYSHOWERS | FAID0006

Nödduschar | Dusch av hela kroppen



KWC

Emergency showerhead

2030018810
FAID0001

Safety label emergency shower

2000101152
FAID904