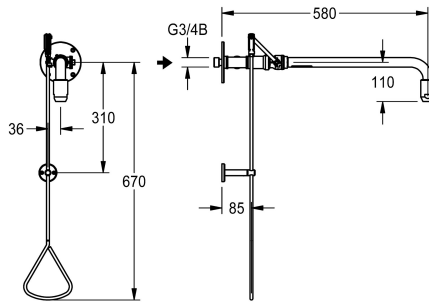


## KWC

Emergency shower activated by a pull-rod with water supply from the wall

Modell-Linie: EMERGENCYSHOWERS | FAID0007

Emergency showers | Whole body showers



### KWC-No.

**2030019170**

Pull-rod operated emergency shower, for surface mounting, with water supply from the wall and side connection (sealed with plug) for connecting an eye wash fountain, valve operated by triangular handle. With wall bracket and emergency shower head. Non-self-closing, the water flow is stopped by pushing up the pull rod, green

EPS coating (RAL 6032), complies with EN 15154, Part 1, includes the "emergency shower" safety symbol on an adhesive label in compliance with ISO 3864, Part 1 and user instructions. Volumetric flow rate approx. 65 l/min at 1 bar pressure, approx. 110 l/min at 3 bar pressure, water connection G 3/4 B.

### Technical Data

colour
spout projection
type of connection
type of fitting
volume flow rate at 1 bar
volume flow rate at 3 bar

green
588 mm
wall connection
wall mounted
1.08 l/s
1.83 l/s

### Optional Accessories



### Extension for coupling-rod

**2030061050**  
ZFAID0003

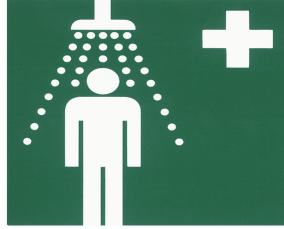
### Spare Parts

## KWC

Emergency shower activated by a pull-rod with water supply from the wall

Modell-Linie: EMERGENCYSHOWERS | FAID0007

Emergency showers | Whole body showers



KWC

### Emergency showerhead

**2030018810**  
FAID0001

### Safety label emergency shower

**2000101152**  
FAID904