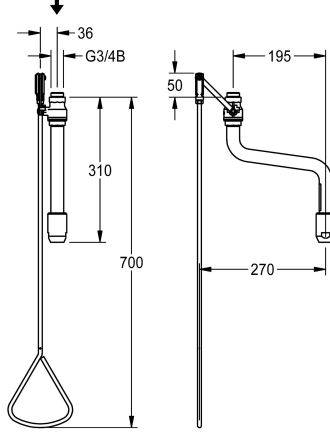
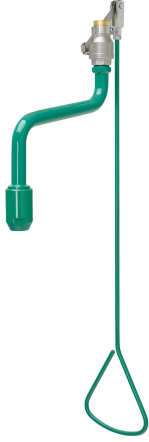


KWC

Emergency shower activated by a pull-rod for ceiling mounting

Modell-Linie: EMERGENCYSHOWERS | FAID0009

Emergency showers | Whole body showers



KWC-No.

2030019182

Pull-rod operated emergency shower, for ceiling mounting, with water supply from the ceiling, valve operated by triangular handle, shower pipe with horizontal offset so that the handle is outside the water spray. Non-self-closing, the water flow is stopped by pushing up the handle. With wall bracket and emergency shower

head, green EPS coated (RAL 6032). Complies with EN 15154, Part 1. Includes the "emergency shower" safety symbol on an adhesive label in compliance with ISO 3864, Part 1 and user instructions. Volumetric flow rate approx. 65 l/min at 1 bar pressure, approx. 110 l/min at 3 bar pressure, water connection G 3/4 B.

Technical Data

colour	green
spout projection	195 mm
type of connection	pipe connection
type of fitting	ceiling installation
volume flow rate at 1 bar	1.08 l/s
volume flow rate at 3 bar	1.83 l/s

colour	green
spout projection	195 mm
type of connection	pipe connection
type of fitting	ceiling installation
volume flow rate at 1 bar	1.08 l/s
volume flow rate at 3 bar	1.83 l/s

Optional Accessories



Extension for coupling-rod

2030061050

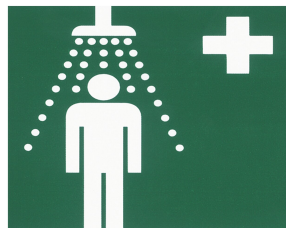
ZFAID0003

Spare Parts

KWC

Emergency shower activated by a pull-rod for ceiling mounting

Modell-Linie: EMERGENCYSHOWERS | FAID0009
Emergency showers | Whole body showers



KWC

Safety label emergency shower

2000101152
FAID904
