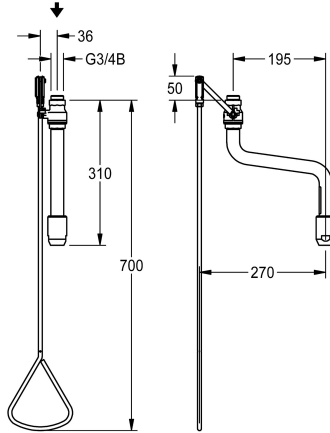
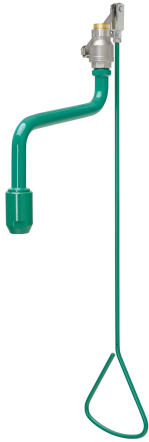


KWC

Emergency shower activated by a pull-rod for ceiling mounting

Modell-Linie: EMERGENCYSHOWERS | FAID0009

Nödduschar | Dusch av hela kroppen



KWC-No.

2030019182

Pull-rod operated emergency shower, for ceiling mounting, with water supply from the ceiling, valve operated by triangular handle, shower pipe with horizontal offset so that the handle is outside the water spray. Non-self-closing, the water flow is stopped by pushing up the handle. With wall bracket and emergency shower

head, green EPS coated (RAL 6032). Complies with EN 15154, Part 1. Includes the "emergency shower" safety symbol on an adhesive label in compliance with ISO 3864, Part 1 and user instructions. Volumetric flow rate approx. 65 l/min at 1 bar pressure, approx. 110 l/min at 3 bar pressure, water connection G 3/4 B.

Technical Data

Färg	Grön
Sprut kastare	195 mm
Typ av anslutning	PIPE-CONNECTION
Typ av passande del	CEILING-INSTALATION
ATT-WS-VOLFLOWRATE1	1.08 l/s
ATT-WS-VOLFLOWRATE3	1.83 l/s

Färg	Grön
Sprut kastare	195 mm
Typ av anslutning	PIPE-CONNECTION
Typ av passande del	CEILING-INSTALATION
ATT-WS-VOLFLOWRATE1	1.08 l/s
ATT-WS-VOLFLOWRATE3	1.83 l/s

Extratillbehör



Extension for coupling-rod

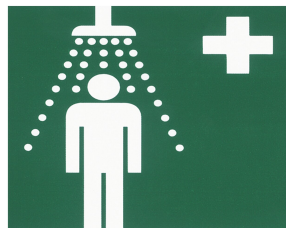
2030061050
ZFAID0003

Reservdelar

KWC

Emergency shower activated by a pull-rod for ceiling mounting

Modell-Linie: EMERGENCYSHOWERS | FAID0009
Nödduschar | Dusch av hela kroppen



KWC

Safety label emergency shower

2000101152
FAID904
