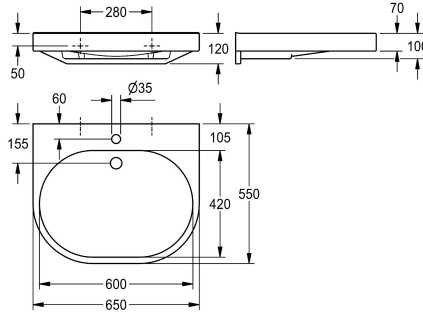


KWC VARIUScare Single washbasin barrier-free

Modell-Linie: VARIUSCARE | ANMW501
Washbasins & Washtroughs | Wash basins



KWC-No.

2030020958

Dimensions 650 x 120 x 550 mm (W x H x D) Recess dimensions 600 x 80 x 420 mm (W x H x D)

2030020961

Dimensions 550 x 120 x 450 mm (W x H x D) Recess dimensions 500 x 80 x 325 mm (W x H x D)

2030020963

Dimensions 450 x 100 x 350 mm (W x H x D) Recess dimensions 400 x 60 x 230 mm (W x H x D)

overall depth

550 mm

450 mm

350 mm

overall width

650 mm

550 mm

450 mm

VARIUScare single washbasin made of MIRANIT resin-bonded mineral material. Colour Alpine white. Wheelchair accessible, with integrated gripping edge. Seamless moulded bowl, without overflow. With tap hole. Mounting on washbasin back panel. Rear

contoured edge. Mounting material included.

Dimensions 650 x 120 x 550 mm (W x H x D)
Bowl dimensions 600 x 80 x 420 mm (W x H x D)

Technical Data

barrier-free

type of basin

bowl position

bowl - bowl height

bowl - depth

bowl shape

bowl - width

colour

material

material code

overall depth

overall height

overall width

overflow

rear upstand

siphon diameter

siphon included

splash back

number of tap holes

tap hole diameter

tap hole position

yes

Wash basin

center

80 mm

420 mm

oval

600 mm

alpinewhite

mineral material

Miranit

550 mm

120 mm

650 mm

no

yes

DN 32

no

no

1

35 mm

middle

KWC VARIUScare Single washbasin barrier-free

Modell-Linie: VARIUSCARE | ANMW501
Washbasins & Washtroughs | Wash basins

tap ledge	yes
type of mounting	wall mounting
Colour strip	no

Optional Accessories



Strainer waste

2000100854
ZANMW901



Dome waste valve

2000100861
ZANMW900