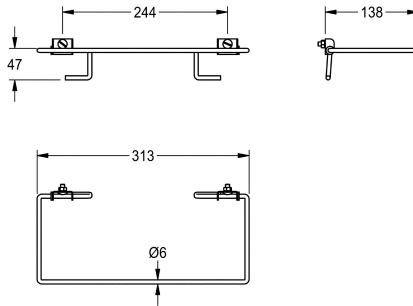
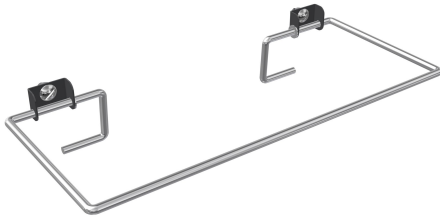


KWC RODAN Bag holder

Modell-Linie: RODAN | E-RODX605N
Accessories | Waste bins



KWC-No.

2030022424

Bag holder for RODX605 and RODX605E waste bin, for screw mounting

Bag holder for waste bin RODX605, RODX605E, RODX605EE, RODX602, RODX602E, RODX617, RODX617E for screwing.

stainless steel, surface satin finished, material thickness 0.8 mm / 6 mm, hinged, includes stainless Steel screws and nuts

Technical Data

material
material code
material thickness
overall depth
overall height
overall width
surface finish
type of mounting

stainless steel
1.4301 Chrome Nickel steel V2A
0.8 mm
138 mm
61 mm
313 mm
satin finished
bolt mounting