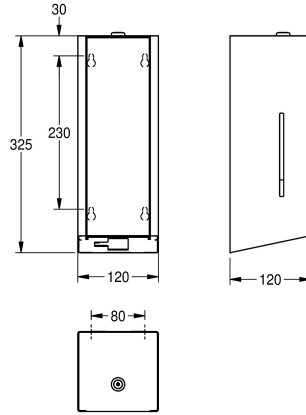


KWC EXOS. Electronic soap dispenser for wall mounting

Modell-Linie: EXOS | EXOS625X
Accessories | Soap dispensers



KWC-No.

2030022942

Front with InoxPlus surface refinement

2030022943

InoxPlus-coated main housing, black toughened safety glass front panel

2030025231

InoxPlus-coated main housing, white toughened safety glass front panel

Accent colour

stainless steel-look

black

white

EXOS, Touch free soap dispenser for wall mounting, stainless steel with satin finish, front and casing with InoxPlus surface refinement for the reduction of finger marks and better cleaning characteristics (easy to clean), material thickness 1.2 mm, inspection window on side, infrared sensor activity for non-touch operation, LED display shows battery status, requires 4 pieces 1.5 V AA batteries, suitable

for liquid soap and lotions, includes 800 ml refill tank, dispenses 0.6 - 1.1 ml depending on soap, mounting height should be at least 300 mm above wash basin or table top, includes mounting materials.

Dimensions 120 x 325 x 120 mm (W x H x D)

Technical Data

filling quantity

800

filling quantity uom

ml

lock

key-lock

material

stainless steel

material code

1.4301 Chrome Nickel steel V2A

material thickness

1.2 mm

number of batteries

4

overall depth

120 mm

overall height

325 mm

overall width

120 mm

surface finish

satin finished

surface treatment

InoxPlus (anti fingerprint)

type of batteries

AA Mignon battery 1.5 V

type of consumable

liquid soap

type of fixing

screw

type of mounting

wall mounting

type of operation

sensor operation

type of soap container

integrated refillable tank

Accent colour

stainless steel-look

Basic colour

stainless steel-look

INOX PLUS

KWC EXOS.

Electronic soap dispenser for wall mounting

Modell-Linie: EXOS | EXOS625X
Accessories | Soap dispensers

Optional Accessories



EXOS. front with white safety glass panel for soap dispenser for wall mounting

2030025238
ZEXOS616W



EXOS. conversion kit for liquid soap dispenser

2030022956
ZEXOS618K



EXOS. conversion kit for foam soap dispenser

2030022955
ZEXOS616K



Premium Stand

2030062801
GLX2020



EXOS. front with black safety glass panel for soap dispenser for wall mounting

2030022948
ZEXOS616B



Dispenser hose

2000103333
EACCS055

Consumables



Liquid soap

2030058103
SO1LP



Liquid soap

2000057168
SO10L



KWC EXOS.

Electronic soap dispenser for wall mounting

Modell-Linie: EXOS | EXOS625X
Accessories | Soap dispensers