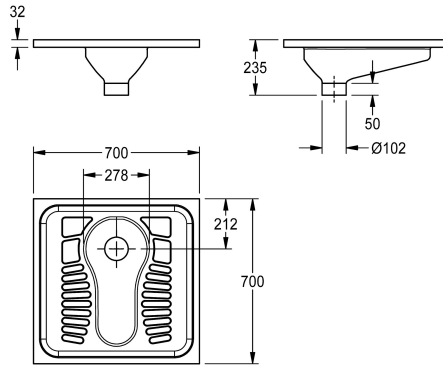


KWC CAMPUS

Squat pan

Modell-Linie: **CAMPUS | CMPX503N**
WC och urinoarer | Squat toaletter



KWC-No.

2030018490

Dimensions 700 x 235 x 700 mm (W x H x D)

2030023692

Version without spreader

Squat pan for recessed or inset mounting, stainless steel, surface satin finished, material thickness 1.2 mm, DN 100 waste, drainage into ground, slip resistant patterned foot tread plate areas, suitable for recessed mounting into floor.

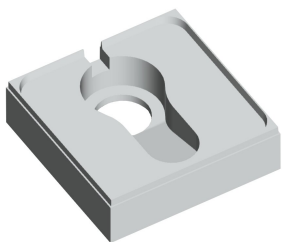
Without Spreader or Inlet Hole.
Dimensions 700 x 235 x 700 mm (W x H x D)

Technical Data

Material
Materialkod
Material tjocklek
Minsta spolkapacitet
Utløppets storlek
Övergripande djup
Total höjd
Total bredd
Ytfinish
Typ av montering
Typ av toalettsits
Typ av WC

Rostfritt stål
1.4301
1.2 mm
6 Liter
DN 100
700 mm
235 mm
700 mm
Satin yta
Inbyggd golv motering
NO-SEAT
Kvadratisk-skål

Extratillbehör





KWC CAMPUS

Squat pan

Modell-Linie: **CAMPUS | CMPX503N**
WC och urinoarer | Squat toaletter

**CAMPUS mounting support for squat
toilet**

2030027861
ZCMPX0011

Trap

2000102734
ZCMPX003

Trap

2000102733
ZCMPX002