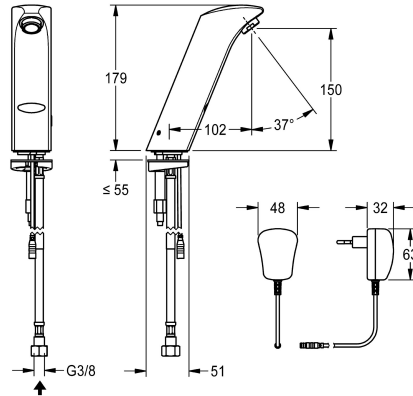


KWC

PROTRONIC-S Electronic pillar tap with plug-in power supply unit

Modell-Linie: PROTRONIC-S | PRTRS0011

Taps | Electronic taps



KWC-No.

2030025088

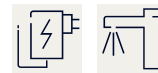
PROTRONIC-S mains-supplied washbasin tap with touch-free operation, DN 15 with aerator and integrated flow control, for connection to pre-mixed warm or cold water supply, polished

chromium-plated brass and plug-in power supply with EU male connector, 230 V AC.

Technical Data

with backflow preventer
calculation flow rate cold wat
default automatic hygiene flus
default flow time
depressurised
with filter
functional principle
hygiene flushing
diameter nominal
inlet size
Locking mechanism
material fitting
minimum flow pressure
type of mixing
Parameterization
Pop-up waste set
power supply connection
position of power connection
Type of power supply
protective system IP
with rosettes/cover plate
protective shutdown
sound insulation
Spout
spout projection
surface finish fitting

No
0.1 l/s
not activated
60 Seconds
No
Yes
electronic self-closing
Yes
DN 15
G 3/8
Top section, non-ceramic
brass-look
1 bar
No
remote control
No
230 V AC
from bottom
Transformer
IP55 / 22
No
Yes
No
fixed
102 mm
chromed



KWC

PROTRONIC-S Electronic pillar tap with plug-in power supply unit

Modell-Linie: PROTRONIC-S | PRTRS0011

Taps | Electronic taps

surface treatment fitting	polished
temperature limit	No
thermal disinfection	No
with transformer/power supply	Yes
type of mounting	tap hole
type of operation	sensor operation
type of sensor	opto-electronic sensor
type of tap	pillar tap
volume flow rate at 3 bar	0.1 l/s
water connection	hose (gland nut)
Accent colour	none
Basic colour	chrome-look (glossy)

Optional Accessories



Remote control

2000101087
ZAQUA091



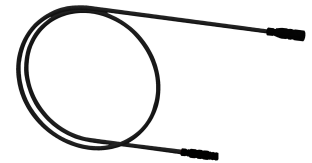
Aerator

2000101160
ZAQUA087



PURETHERM under-table thermostat

2030012758
PURE0031



Extension cable 5 m

2030043814
ACEX9010

Spare Parts



Aerator 6.0 l/min

2000104691
ASXX1015



Hose, G3/8 x M8x1

2000109491
EPRTR0029



Spare part set

2000105106
EPRTR0009



Plug-in power supply unit

2030039823
ACEX9002