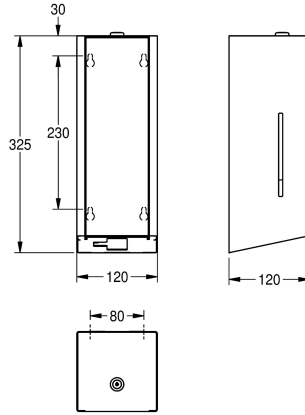
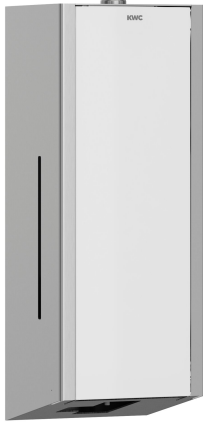


## KWC EXOS.

Electronic soap dispenser for wall mounting

Modell-Linie: EXOS | EXOS625W

Accessories | Soap dispensers



### KWC-No.

#### 2030022942

Front with InoxPlus surface refinement

#### 2030022943

InoxPlus-coated main housing, black toughened safety glass front panel

#### 2030025231

InoxPlus-coated main housing, white toughened safety glass front panel

### Accent colour

stainless steel

black

white

EXOS, Touch free soap dispenser for wall mounting, stainless steel with satin finish, white safety glass front panel, casing with InoxPlus surface refinement for the reduction of finger marks and better cleaning characteristics (easy to clean), material thickness 1.2 mm, inspection window on side, infrared sensor activity for non-touch operation, LED display shows battery status, requires 4 pieces 1.5

V AA batteries, suitable for liquid soap and lotions, includes 800 ml refill tank, dispenses 0,6 - 1.1 ml depending on soap, mounting height should be at least 300 mm above wash basin or table top, includes mounting materials.

Dimensions 120 x 325 x 120 mm (W x H x D)

### Technical Data

filling quantity

800

filling quantity uom

ml

lock

key-lock

material

stainless steel

material code

1.4301 Chrome Nickel steel V2A

material thickness

1.2 mm

number of batteries

4

overall depth

120 mm

overall height

325 mm

overall width

120 mm

surface finish

satin finished

surface treatment

InoxPlus (anti fingerprint)

type of batteries

AA Mignon battery 1.5 V

type of consumable

liquid soap

type of fixing

screw

type of mounting

wall mounting

type of operation

sensor operation

type of soap container

integrated refillable tank

Accent colour

white

Basic colour

stainless steel

## KWC EXOS.

Electronic soap dispenser for wall mounting

Modell-Linie: EXOS | EXOS625W

Accessories | Soap dispensers

### Optional Accessories



**EXOS. Stainless steel front for soap dispenser for wall mounting**

**2030022947**  
ZEXOS616



**EXOS. front with black safety glass panel for soap dispenser for wall mounting**

**2030022948**  
ZEXOS616B



**EXOS. conversion kit for liquid soap dispenser**

**2030022956**  
ZEXOS618K



**EXOS. conversion kit for foam soap dispenser**

**2030022955**  
ZEXOS616K



**Premium Stand**

**2030062801**  
GLX2020



**Dispenser hose**

**2000103333**  
EACCS055

### Consumables



**Liquid soap**

**2030058103**  
SO1LP



**Liquid soap**

**2000057168**  
SO10L