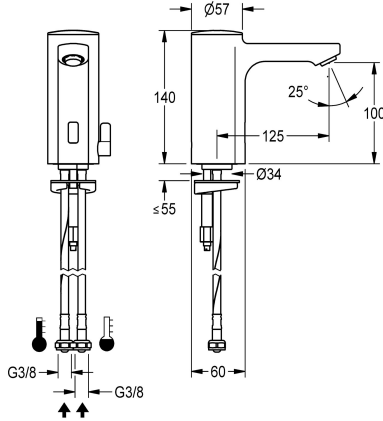


## KWC F5E-Mix Electronic pillar mixer with battery operation

Modell-Linie: F5E | F5EM1001  
Taps | Electronic taps



### KWC-No.

2030027923

2030039427

with flow regulator 3.0 l/min

### volume flow rate at 3 bar

0.08 l/s

0.05 l/s

F5E-Mix pillar mixer DN 15 for sanitary facilities, opto-electronically controlled. For connection to hot and cold water via hoses with integrated backflow preventer and strainers. Control electronics, solenoid valve cartridge, 6 V lithium battery (CR-P2) and sensor in all-metal housing, high-polished chromium-plated brass. Temperature lever with adjustable, turn-proof temperature stop as

well as conversion set for concealed mixing device. Anti-theft aerator, design SLIM, with integrated flow regulator 5.0 l/min. Activated water hygiene flushing 24 hours after last activation, safety switch-off with continuous reflection and saving of statistical data. With option for parameterization and communication via optional, bidirectional remote control.

### Technical Data

with backflow preventer

calculation flow rate cold wat

calculation flow rate hot water

compatible A3000 open

default automatic hygiene flush

depressurised

with filter

functional principle

hygiene flushing

diameter nominal

inlet size

Locking mechanism

material fitting

minimum flow pressure

type of mixing

number of batteries

Parameterization

Pop-up waste set

power supply connection

Type of power supply

protective system IP

with rosettes/cover plate

protective shutdown

yes

0.07 l/s

0.07 l/s

no

24h after the last activity

no

yes

electronic self-closing

yes

DN 15

G 3/8

Top section, non-ceramic

brass

1 bar

yes

1

remote control

no

Battery 6 V

Battery

IP59K

no

yes



## KWC F5E-Mix

Electronic pillar mixer with battery operation

**Modell-Linie: F5E | F5EM1001**

Taps | Electronic taps

sound insulation	no
Spout	fixed
spout projection	125 mm
surface finish fitting	chromed
surface treatment fitting	polished
temperature limit	yes
thermal disinfection	no
with transformer/power supply	no
type of batteries	CR-P2 Lithium battery 6V
type of mounting	tap hole
type of operation	sensor operation
type of sensor	opto-electronic sensor
type of tap	pillar tap
volume flow rate at 3 bar	0.08 l/s
water connection	hose (gland nut)
Accent colour	none
Basic colour	chrome-look (glossy)

### Optional Accessories



**Bidirectional remote control for electronic fittings F3 and F5**

**2030036654**  
ACEX9005



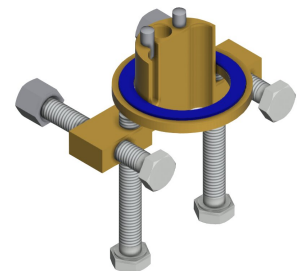
**2-button remote control for fittings F3 and F5**

**2030036849**  
ACEX9004



**Socket**

**2030040334**  
ACEX1001



**Anti-twist protection for F5S**

**2030035383**  
ACXX1001



**PURETHERM under-table thermostat**

**2030012758**  
PURE0031



**5.0 l/min aerator, angle-adjustable**

**2030041326**  
ACXX1002



**3.0 l/min. aerator**

**2030041424**  
ASXX1008

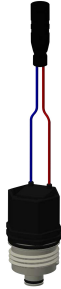
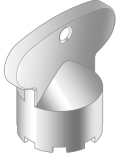
## KWC F5E-Mix

Electronic pillar mixer with battery operation

Modell-Linie: F5E | F5EM1001

Taps | Electronic taps

### Spare Parts



#### Mounting key

**2030041329**  
ACXX1003

#### Solenoid valve cartridge

**2030045522**  
ACXX9002