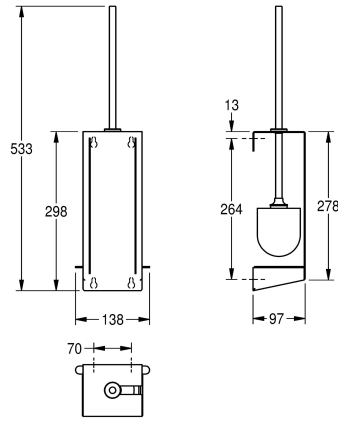


## KWC EXOS. Toilet brush holder

Modell-Linie: EXOS | EXOS687X  
Accessories | Toilet brush holders



### KWC-No.

**2030027995**

Dimensions 138 x 533 x 97 mm (W x H x D)

Toilet brush holder for wall mounting, stainless steel with satin finish and InoxPlus surface refinement, material thickness 1.5 mm, closed casing to the front, brush withdrawal at the right, brush with stainless steel handle and black nylon brush head, removable

plastic drip tray, includes mounting materials.

Dimensions 110 x 298 x 97 mm (W x H x D)

### Technical Data

brush colour
material
material code
material thickness
overall depth
overall height
overall width
surface finish
surface treatment
type of brush
type of fixing
type of mounting

black
stainless steel
1.4301 Chrome Nickel steel V2A
1.5 mm
97 mm
298 mm
110 mm
satin finished
InoxPlus (anti fingerprint)
CNS-nylon
screw
wall mounting

**INOX  
PLUS**