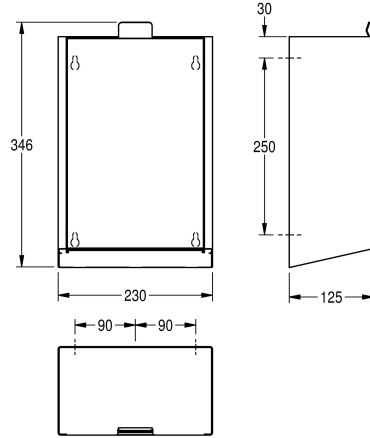
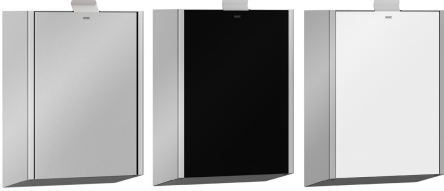


KWC EXOS. Hygiene waste bin for wall mounting

Modell-Linie: EXOS | EXOS611X
Accessories | Hygiene bins



KWC-No.

2030028001

Front with InoxPlus surface refinement

2030030108

InoxPlus-coated main housing, black toughened safety glass front panel

2030030111

InoxPlus-coated main housing, white toughened safety glass front panel

Accent colour

stainless steel-look

black

white

Hygiene waste bin for wall mounting, stainless steel with satin finish and InoxPlus surface refinement for the reduction of finger marks and better cleaning characteristics (easy to clean), material thickness 1.2 mm, capacity approx. 3.7 litres, hinged self-closing

front, integrated plastic container for waste removal, includes mounting materials.

Dimensions 230 x 346 x 125 mm (W x H x D)

Technical Data

bag holder

filling volume

lid

lock

material

material code

material thickness

overall depth

overall height

overall width

surface treatment

type of fixing

type of mounting

Accent colour

Basic colour

No

3.7 Liter

Yes

no lock

stainless steel

1.4301 Chrome Nickel steel V2A

1.2 mm

125 mm

346 mm

230 mm

InoxPlus (anti fingerprint)

screw

wall mounting

stainless steel-look

stainless steel-look

INOX PLUS

Optional Accessories

KWC EXOS.

Hygiene waste bin for wall mounting

Modell-Linie: EXOS | EXOS611X

Accessories | Hygiene bins



EXOS. front with black safety glass panel

2030034650
ZEXOS611B



EXOS. front with white safety glass panel

2030034707
ZEXOS611W
