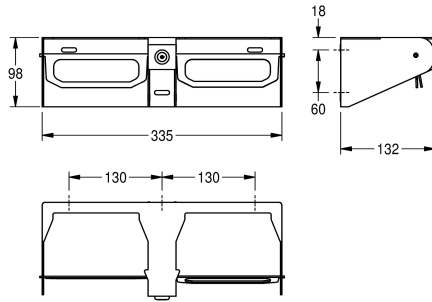
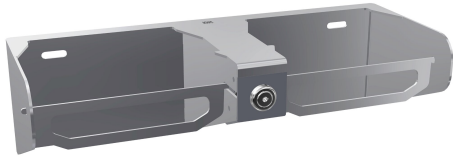


## KWC Double toilet roll holder

Modell-Linie: ACCESSOIRES | CHR676N  
Accessories | WC-roll holders



### KWC-No.

**2030028851**

Double toilet roll holder for wall mounting, stainless steel, surface satin finished, material thickness 2 mm, cylinder lock with KWC standard key, for 2 rolls with a maximum diameter of 140 mm, thief protected spindles, controlled paper consumption due to spindle

stop mechanism, includes stainless steel screws and dowels.

Dimensions 335 x 98 x 132 mm (W x H x D)

### Technical Data

maximum depth/diameter of cons	140 mm
maximum width of consumable	140 mm
filling quantity	2
filling quantity uom	rolls
lock	key-lock
material	stainless steel
material code	1.4301 Chrome Nickel steel V2A
material thickness	2 mm
overall depth	132 mm
overall height	98 mm
overall width	335 mm
spindle	yes
surface finish	satin finished
type of fixing	screw
type of mounting	wall mounting