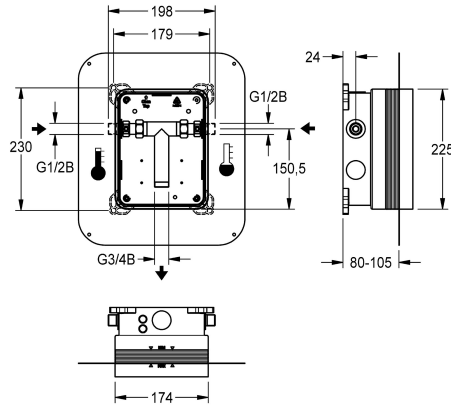


## KWC R5 System box for in-wall mixers

Modell-Linie: F5 | F5BX1001  
Taps | Basic installation kits for tap



### KWC-No.

**2030028992**  
R5 system box for in-wall mixers

R5 basic installation kit with sliding adhesive flange for in-wall mounting of finished installation kits DN 15 with mixing unit, for sanitary facilities. For connection to hot and cold water. KWC system box made of plastic, 174 x 225 mm, with lockable connection screws, shell protection, flush connector for flushing, and

leak test. Continuously-adjustable sliding adhesive flange with form-closed, flexible, 70 mm wide sealing collar. Sealing collar made of water-tight, permanently-elastic, alkali-resistant, and crack-bridging thermoplastic elastomer with polypropylene fleece for connecting to compound seals in dry and wet construction.

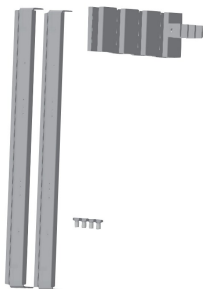
### Technical Data

application
barrier-free
Built-in fitting model
diameter nominal
material
minimum wall thickness
type of mixing
position of power connection
type
type of mounting

washing
No
Built-in section
DN 15
synthetic
80 mm
with thermostat / mixer
from top
for built-in with box and adhe
in-wall installation with box



### Optional Accessories



### AQUAFIX Traverse

**2000106019**



**KWC R5**  
System box for in-wall mixers

**Modell-Linie: F5 | F5BX1001**  
Taps | Basic installation kits for tap

ZCMPX006

---