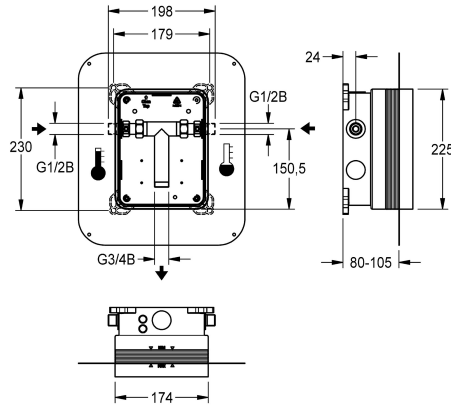


KWC R5 System box for in-wall mixers

Modell-Linie: F5 | F5BX1001
Taps | Basic installation kits for tap



KWC-No.

2030028992
R5 system box for in-wall mixers

R5 basic installation kit with sliding adhesive flange for in-wall mounting of finished installation kits DN 15 with mixing unit, for sanitary facilities. For connection to hot and cold water. KWC system box made of plastic, 174 x 225 mm, with lockable connection screws, shell protection, flush connector for flushing, and

leak test. Continuously-adjustable sliding adhesive flange with form-closed, flexible, 70 mm wide sealing collar. Sealing collar made of water-tight, permanently-elastic, alkali-resistant, and crack-bridging thermoplastic elastomer with polypropylene fleece for connecting to compound seals in dry and wet construction.

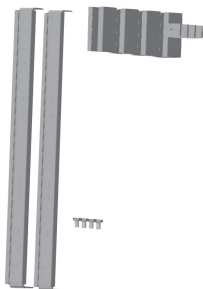
Technical Data

| |
|------------------------------|
| application |
| barrier-free |
| Built-in fitting model |
| diameter nominal |
| material |
| minimum wall thickness |
| type of mixing |
| position of power connection |
| type |
| type of mounting |

| |
|--------------------------------|
| washing |
| no |
| Built-in section |
| DN 15 |
| synthetic |
| 80 mm |
| with thermostat / mixer |
| from top |
| for built-in with box and adhe |
| in-wall installation with box |



Optional Accessories



AQUAFIX Traverse

2000106019



KWC R5
System box for in-wall mixers

Modell-Linie: F5 | F5BX1001
Taps | Basic installation kits for tap

ZCMPX006
