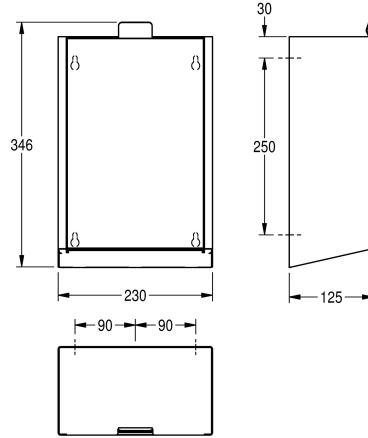


KWC EXOS. Hygiene waste bin

Modell-Linie: EXOS | EXOS611B
Accessories | Hygiene bins



KWC-No.

2030028001

Front with InoxPlus surface refinement

2030030108

InoxPlus-coated main housing, black toughened safety glass front panel

2030030111

InoxPlus-coated main housing, white toughened safety glass front panel

Accent colour

stainless steel

black

white

Hygiene waste bin for wall mounting, stainless steel with satin finish, black safety glass front panel and casing with InoxPlus surface refinement for the reduction of finger marks and better cleaning characteristics (easy to clean), material thickness 1.2 mm,

capacity approx. 3.7 litres, hinged self-closing front, integrated plastic container for waste removal, includes mounting materials.

Dimensions 230 x 346 x 125 mm (W x H x D)

Technical Data

bag holder

no

filling volume

3.7 Liter

lid

yes

lock

no lock

material

stainless steel

material code

1.4301 Chrome Nickel steel V2A

material thickness

1.2 mm

overall depth

125 mm

overall height

346 mm

overall width

230 mm

surface treatment

InoxPlus (anti fingerprint)

type of fixing

screw

type of mounting

wall mounting

Accent colour

black

Basic colour

stainless steel

Optional Accessories

KWC EXOS. Hygiene waste bin

Modell-Linie: EXOS | EXOS611B
Accessories | Hygiene bins



**EXOS. stainless steel front for EXOS.
hygiene waste bin for wall and
recessed mounting**

2030034649
ZEXOS611



**EXOS. front with white safety glass
panel**

2030034707
ZEXOS611W
