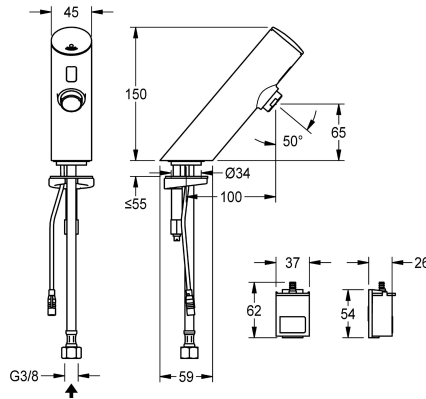


## KWC F3E

Electronic pillar tap with battery compartment

Modell-Linie: F3E | F3EV1001

Taps | Electronic taps



**KWC-No.**

**2030033385**

**2030039462**

with flow regulator 3.0 l/min

**volume flow rate at 3 bar**

0.1 l/s

0.05 l/s

F3E pillar tap DN 15 for sanitary facilities, opto-electronically controlled. For connection to pre-mixed hot or cold water via hose and strainer. Control electronics, solenoid valve cartridge and sensor in all-metal housing, high-polished chromium-plated brass. Aerator with integrated flow regulator 6.0 l/min. Activated water hygiene

flushing 24 hours after last activation, safety switch-off with continuous reflection and saving of statistical data. With option for parameterization and communication via optional, bidirectional remote control. With battery compartment including 6 V lithium battery (CR-P2) for installation under the washbasin.

**Technical Data**

with backflow preventer

no

calculation flow rate cold wat

0.1 l/s

compatible A3000 open

no

default automatic hygiene flus

24h after the last activity

depressurised

no

with filter

yes

functional principle

electronic self-closing

hygiene flushing

yes

diameter nominal

DN 15

inlet size

G 3/8

Locking mechanism

Top section, non-ceramic

material fitting

brass-lock

minimum flow pressure

1 bar

type of mixing

no

number of batteries

1

Parameterization

remote control

Pop-up waste set

no

power supply connection

Battery 6 V

position of power connection

from bottom

power consumption

1.5 Voltampere

Type of power supply

Battery

protective system IP

IP59K

with rosettes/cover plate

no

protective shutdown

yes



## KWC F3E

Electronic pillar tap with battery compartment

Modell-Linie: F3E | F3EV1001

Taps | Electronic taps

sound insulation	no
Spout	fixed
spout projection	100 mm
surface finish fitting	chromed
surface treatment fitting	polished
temperature limit	no
thermal disinfection	no
with transformer/power supply	no
type of batteries	CR-P2 Lithium battery 6V
type of mounting	tap hole
type of operation	sensor operation
type of sensor	opto-electronic sensor
type of tap	pillar tap
volume flow rate at 3 bar	0.1 l/s
water connection	hose (gland nut)
Accent colour	none
Basic colour	chrome-look (glossy)

### Optional Accessories



**Bidirectional remote control for electronic fittings F3 and F5**

**2030036654**  
ACEX9005



**2-button remote control for fittings F3 and F5**

**2030036849**  
ACEX9004



**Aerator**

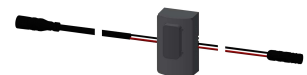
**2000101160**  
ZAQUA087



**PURETHERM under-table thermostat**

**2030012758**  
PURE0031

### Spare Parts



## KWC F3E

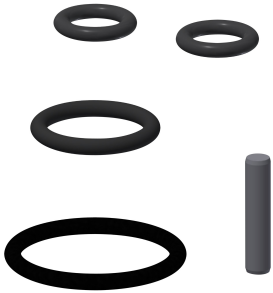
Electronic pillar tap with battery compartment

Modell-Linie: F3E | F3EV1001

Taps | Electronic taps

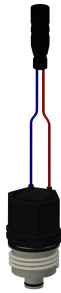
### Cap for F3E

**2030041514**  
ASEX1006



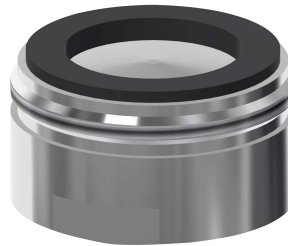
### O-ring, red

**2030042439**  
ASEV1002



### O-ring, blue

**2030042440**  
ASEV1002



### Sensor, ID 01/00001

**2030041447**  
ASEX1001



### Spare part set

**2030042426**  
ASEX1011



### Solenoid valve cartridge

**2030003033**  
EAQFU0001



### Aerator 6.0 l/min

**2000104691**  
ASXX1015



### Hose

**2030041501**  
ASEV1001



### Quick-action fastener

**2030042441**  
ASEX1012



### Lithium battery 6 V

**2000104846**  
EPRTR0008



### Plug-in power supply unit

**2030039823**  
ACEX9002



### In-wall power supply

**2030039825**  
ACEX9003

