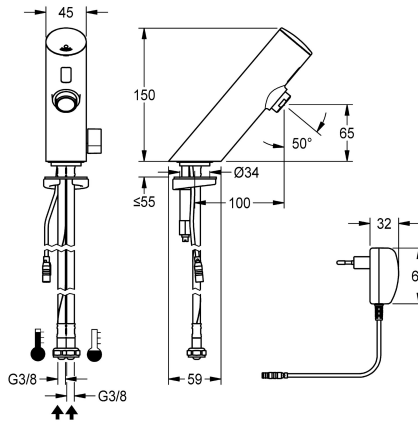


KWC

F3E-Mix electronic pillar mixer with plug-in power supply unit

Modell-Linie: F3E | F3EM1002

Taps | Electronic taps



KWC-No.

2030033389

volume flow rate at 3 bar

0.1 l/s

F3E-Mix pillar mixer DN 15 for sanitary facilities, opto-electronically controlled. For connection to hot and cold water via hoses with integrated backflow preventer and strainers. Control electronics, solenoid valve cartridge and sensor in all-metal housing, high-polished chromium-plated brass, with temperature lever and adjustable, turn-proof temperature stop. Aerator with integrated

flow regulator 6.0 l/min. Activated water hygiene flushing 24 hours after last activation, safety switch-off with continuous reflection and saving of statistical data. With option for parameterization and communication via optional, bidirectional remote control. With 100 - 240 V AC plug-in power supply unit.

Technical Data

with backflow preventer
calculation flow rate cold wat
calculation flow rate hot water
compatible A3000 open
default automatic hygiene flus
depressurised
with filter
functional principle
hygiene flushing
diameter nominal
inlet size
Locking mechanism
material fitting
minimum flow pressure
type of mixing
Parameterization
Pop-up waste set
power supply connection
position of power connection
power consumption
Type of power supply
protective system IP
with rosettes/cover plate
protective shutdown
sound insulation

Yes
0.07 l/s
0.07 l/s
No
24h after the last activity
No
Yes
electronic self-closing
Yes
DN 15
G 3/8
Top section, non-ceramic
brass-look
1 bar
Yes
remote control
No
100 - 240 V AC
from bottom
1.5 Voltampere
Transformer
IP59K
No
Yes
No



KWC

F3E-Mix electronic pillar mixer with plug-in power supply unit

Modell-Linie: F3E | F3EM1002

Taps | Electronic taps

Spout	fixed
spout projection	100 mm
surface finish fitting	chromed
surface treatment fitting	polished
temperature limit	Yes
thermal disinfection	No
with transformer/power supply	Yes
type of mounting	tap hole
type of operation	sensor operation
type of sensor	opto-electronic sensor
type of tap	pillar tap
volume flow rate at 3 bar	0.1 l/s
water connection	hose (gland nut)
Accent colour	none
Basic colour	chrome-look (glossy)

Optional Accessories



Bidirectional remote control for electronic fittings F3 and F5

2030036654
ACEX9005



2-button remote control for fittings F3 and F5

2030036849
ACEX9004



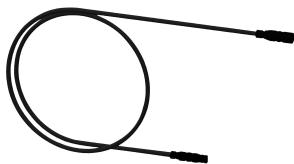
Aerator

2000101160
ZAQUA087



PURETHERM under-table thermostat

2030012758
PURE0031



Extension cable 5 m

2030043814
ACEX9010

KWC

F3E-Mix electronic pillar mixer with plug-in power supply unit

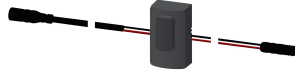
Modell-Linie: F3E | F3EM1002
Taps | Electronic taps

Spare Parts



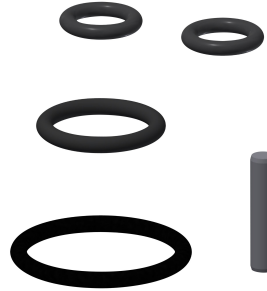
Cap for F3E

2030041514
ASEX1006



Sensor, ID 01/00001

2030041447
ASEX1001



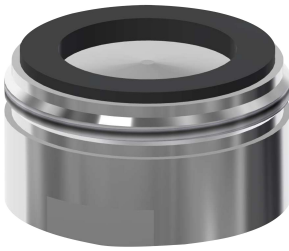
Spare part set

2030042426
ASEX1011



Solenoid valve cartridge

2030045522
ACXX9002



Aerator 6.0 l/min

2000104691
ASXX1015



Hose

2030041320
ASXM1001



Quick-action fastener

2030042441
ASEX1012



Temperature lever

2030042959
ASXM1004



Plug-in power supply unit

2030039823
ACEX9002