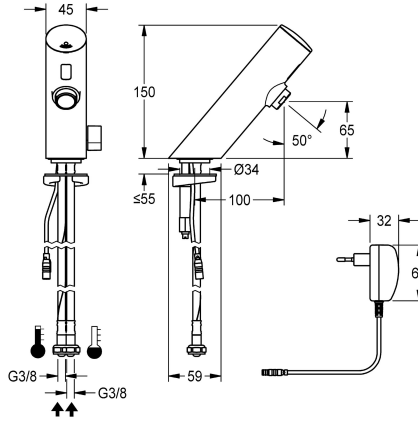


## KWC

### F3E-Mix electronic pillar mixer with plug-in power supply unit

Modell-Linie: F3E | F3EM1002

Taps | Electronic taps



#### KWC-No.

2030033389

#### volume flow rate at 3 bar

0.1 l/s

F3E-Mix pillar mixer DN 15 for sanitary facilities, opto-electronically controlled. For connection to hot and cold water via hoses with integrated backflow preventer and strainers. Control electronics, solenoid valve cartridge and sensor in all-metal housing, high-polished chromium-plated brass, with temperature lever and adjustable, turn-proof temperature stop. Aerator with integrated

flow regulator 6.0 l/min. Activated water hygiene flushing 24 hours after last activation, safety switch-off with continuous reflection and saving of statistical data. With option for parameterization and communication via optional, bidirectional remote control. With 100 - 240 V AC plug-in power supply unit.

#### Technical Data

|                                  |
|----------------------------------|
| with backflow preventer          |
| calculation flow rate cold water |
| calculation flow rate hot water  |
| compatible A3000 open            |
| default automatic hygiene flush  |
| depressurised                    |
| with filter                      |
| functional principle             |
| hygiene flushing                 |
| diameter nominal                 |
| inlet size                       |
| Locking mechanism                |
| material fitting                 |
| minimum flow pressure            |
| type of mixing                   |
| Parameterization                 |
| Pop-up waste set                 |
| power supply connection          |
| position of power connection     |
| power consumption                |
| Type of power supply             |
| protective system IP             |
| with rosettes/cover plate        |
| protective shutdown              |
| sound insulation                 |

|                             |
|-----------------------------|
| yes                         |
| 0.07 l/s                    |
| 0.07 l/s                    |
| no                          |
| 24h after the last activity |
| no                          |
| yes                         |
| electronic self-closing     |
| yes                         |
| DN 15                       |
| G 3/8                       |
| Top section, non-ceramic    |
| brass                       |
| 1 bar                       |
| yes                         |
| remote control              |
| no                          |
| 100 - 240 V AC              |
| from bottom                 |
| 1.5 Voltampere              |
| Transformer                 |
| IP59K                       |
| no                          |
| yes                         |
| no                          |



## KWC

### F3E-Mix electronic pillar mixer with plug-in power supply unit

Modell-Linie: F3E | F3EM1002

Taps | Electronic taps

|                               |                        |
|-------------------------------|------------------------|
| Spout                         | fixed                  |
| spout projection              | 100 mm                 |
| surface finish fitting        | chromed                |
| surface treatment fitting     | polished               |
| temperature limit             | yes                    |
| thermal disinfection          | no                     |
| with transformer/power supply | yes                    |
| type of mounting              | tap hole               |
| type of operation             | sensor operation       |
| type of sensor                | opto-electronic sensor |
| type of tap                   | pillar tap             |
| volume flow rate at 3 bar     | 0.1 l/s                |
| water connection              | hose (gland nut)       |
| Accent colour                 | none                   |
| Basic colour                  | chrome-look (glossy)   |

#### Optional Accessories



**Bidirectional remote control for electronic fittings F3 and F5**

**2030036654**  
ACEX9005



**2-button remote control for fittings F3 and F5**

**2030036849**  
ACEX9004



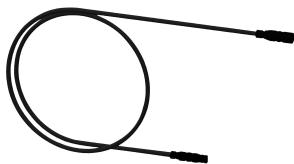
**Aerator**

**2000101160**  
ZAQUA087



**PURETHERM under-table thermostat**

**2030012758**  
PURE0031



**Extension cable 5 m**

**2030043814**  
ACEX9010

## KWC

F3E-Mix electronic pillar mixer with plug-in power supply unit

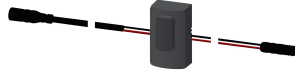
Modell-Linie: F3E | F3EM1002  
Taps | Electronic taps

### Spare Parts



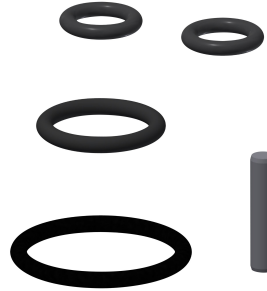
Cap for F3E

2030041514  
ASEX1006



Sensor, ID 01/00001

2030041447  
ASEX1001



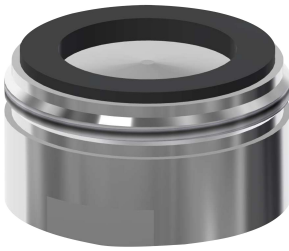
Spare part set

2030042426  
ASEX1011



Solenoid valve cartridge

2030045522  
ACXX9002



Aerator 6.0 l/min

2000104691  
ASXX1015



Hose

2030041320  
ASXM1001



Quick-action fastener

2030042441  
ASEX1012



Temperature lever

2030042959  
ASXM1004



Plug-in power supply unit

2030039823  
ACEX9002