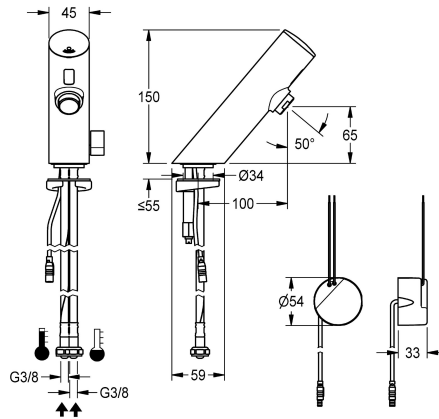


## KWC

### F3E-Mix electronic pillar mixer with in-wall power supply

Modell-Linie: F3E | F3EM1003  
Taps | Electronic taps



#### KWC-No.

2030033545

2030039472

with flow regulator 3.0 l/min

#### volume flow rate at 3 bar

0.1 l/s

0.05 l/s

F3E-Mix pillar mixer DN 15 for sanitary facilities, opto-electronically controlled. For connection to hot and cold water via hoses with integrated backflow preventer and strainers. Control electronics, solenoid valve cartridge and sensor in all-metal housing, high-polished chromium-plated brass, with temperature lever and adjustable, turn-proof temperature stop. Aerator with integrated

flow regulator 6.0 l/min. Activated water hygiene flushing 24 hours after last activation, safety switch-off with continuous reflection and saving of statistical data. With option for parameterization and communication via optional, bidirectional remote control. With in-wall power supply 100 - 240 V AC.

#### Technical Data

with backflow preventer

calculation flow rate cold wat

calculation flow rate hot water

compatible A3000 open

default automatic hygiene flush

depressurised

with filter

functional principle

hygiene flushing

diameter nominal

inlet size

Locking mechanism

material fitting

minimum flow pressure

type of mixing

Parameterization

Pop-up waste set

power supply connection

position of power connection

power consumption

Type of power supply

protective system IP

with rosettes/cover plate

Yes

0.07 l/s

0.07 l/s

No

24h after the last activity

No

Yes

electronic self-closing

Yes

DN 15

G 3/8

Top section, non-ceramic

brass-look

1 bar

Yes

remote control

No

100 - 240 V AC

from bottom

1.5 Voltampere

Transformer

IP59K

No



## KWC

### F3E-Mix electronic pillar mixer with in-wall power supply

Modell-Linie: F3E | F3EM1003

Taps | Electronic taps

protective shutdown	Yes
sound insulation	No
Spout	fixed
spout projection	100 mm
surface finish fitting	chromed
surface treatment fitting	polished
temperature limit	Yes
thermal disinfection	No
with transformer/power supply	Yes
type of mounting	tap hole
type of operation	sensor operation
type of sensor	opto-electronic sensor
type of tap	pillar tap
volume flow rate at 3 bar	0.1 l/s
water connection	hose (gland nut)
Accent colour	none
Basic colour	chrome-look (glossy)

#### Optional Accessories



**Bidirectional remote control for electronic fittings F3 and F5**

**2030036654**  
ACEX9005



**2-button remote control for fittings F3 and F5**

**2030036849**  
ACEX9004



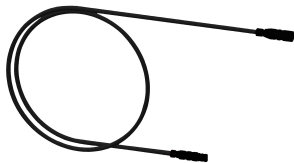
**Aerator**

**2000101160**  
ZAQUA087



**PURETHERM under-table thermostat**

**2030012758**  
PURE0031



**Extension cable 5 m**

**2030043814**  
ACEX9010

## KWC

F3E-Mix electronic pillar mixer with in-wall power supply

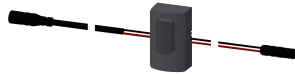
Modell-Linie: F3E | F3EM1003  
Taps | Electronic taps

### Spare Parts



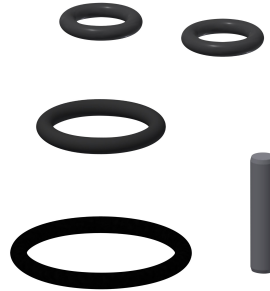
Cap for F3E

**2030041514**  
ASEX1006



Sensor, ID 01/00001

**2030041447**  
ASEX1001



Spare part set

**2030042426**  
ASEX1011



Solenoid valve cartridge

**2030045522**  
ACXX9002



Aerator 6.0 l/min

**2000104691**  
ASXX1015



Hose

**2030041320**  
ASXM1001



In-wall power supply

**2030039825**  
ACEX9003



Quick-action fastener

**2030042441**  
ASEX1012



Temperature lever

**2030042959**  
ASXM1004