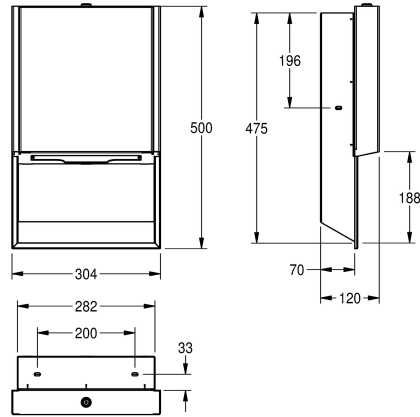


## KWC EXOS. Paper towel dispenser

Modell-Linie: EXOS | EXOS600EB  
Accessories | Paper towel dispensers



### KWC-No.

**2030034624**

Front with InoxPlus surface refinement

**2030034625**

InoxPlus-coated main housing, black toughened safety glass front panel

**2030034662**

InoxPlus-coated main housing, white toughened safety glass front panel

### Accent colour

stainless steel

black

white

Paper towel dispenser for recessed mounting, stainless steel with satin finish, black safety glass front panel, casing with InoxPlus surface refinement for the reduction of finger marks and better cleaning characteristics (easy to clean), material thickness 1.2 mm,

capacity 300 - 400 pieces of Z-folded paper, includes mounting materials.

Dimensions 304 x 500 x 120 mm (W x H x D)

### Technical Data

filling quantity

400

filling quantity uom

towels

lock

key-lock

material

stainless steel

material code

1.4301 Chrome Nickel steel V2A

material thickness

1.2 mm

overall depth

120 mm

overall height

500 mm

overall width

304 mm

surface finish

satin finished

surface treatment

InoxPlus (anti fingerprint)

type of consumable

paper towel

type of fixing

screw

type of mounting

recessed mounting

Accent colour

black

Basic colour

stainless steel

### Optional Accessories

## KWC EXOS. Paper towel dispenser

Modell-Linie: EXOS | EXOS600EB  
Accessories | Paper towel dispensers



**EXOS. stainless steel front for paper towel dispenser for recessed mounting**

---

**2030034647**  
ZEXOS600E

---



**EXOS. front with white safety glass panel**

---

**2030034672**  
ZEXOS600EW

---

### Consumables



### Paper towels

---

**2030072378**  
FH70P

---