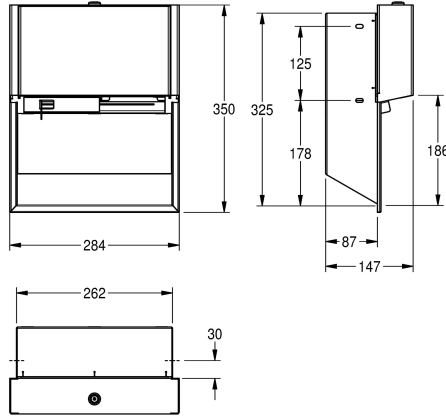


KWC EXOS. Double toilet roll holder

Modell-Linie: EXOS | EXOS676EW
Accessories | WC-roll holders



KWC-No.

2030034642

InoxPlus-coated main housing and front panel

2030034644

InoxPlus-coated main housing, black toughened safety glass front panel

2030034669

InoxPlus-coated main housing, white toughened safety glass front panel

Accent colour

stainless steel

black

white

Double toilet roll holder with spindle system for recessed mounting, stainless steel with satin finish, white safety glass front panel and casing with InoxPlus surface refinement for the reduction of finger marks and better cleaning characteristics (easy to clean), material thickness 1.2 mm, closed casing, for two rolls with a maximum

diameter of 120 mm, when the first roll is used up, the hidden spare roll is released by sliding the bottom cover on the opposite side, includes mounting materials.

Dimensions 284 x 350 x 147 mm (W x H x D)

Technical Data

maximum depth/diameter of cons

120 mm

maximum width of consumable

100 mm

filling quantity

2

filling quantity uom

rolls

lock

key-lock

material

stainless steel

material code

1.4301 Chrome Nickel steel V2A

material thickness

1.2 mm

overall depth

147 mm

overall height

350 mm

overall width

284 mm

spindle

yes

surface treatment

InoxPlus (anti fingerprint)

type of fixing

screw

type of mounting

recessed mounting

Accent colour

white

Basic colour

stainless steel

Optional Accessories

KWC EXOS. Double toilet roll holder

Modell-Linie: EXOS | EXOS676EW
Accessories | WC-roll holders



**EXOS. stainless steel front for EXOS.
double toilet roll holder for recessed
mounting**

2030034657
ZEXOS676E



**EXOS. front with black safety glass
panel**

2030034658
ZEXOS676EB
