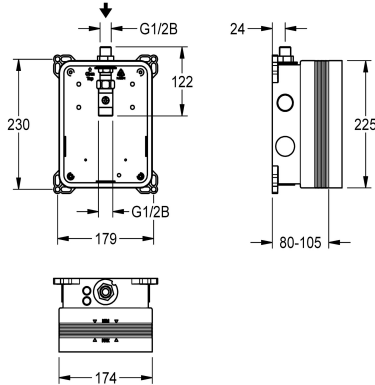


## KWC R3 System box for in-wall taps

Modell-Linie: F3 | F3BV1001  
Taps | Basic installation kits for tap



### KWC-No.

**2030036142**

R3 system box for in-wall taps

R3 basic installation kit for in-wall mounting of finished installation kits DN 15 without mixing unit, for sanitary facilities. For connection to pre-mixed hot water or cold water. KWC system box made of

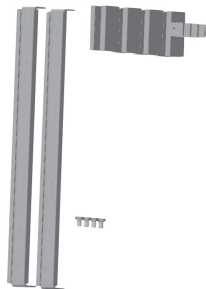
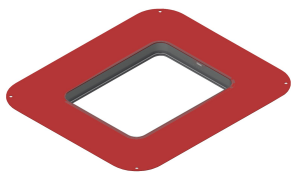
plastic, 174 x 225 mm, with connection screws, shell protection, flush connector for flushing, and leak test.

### Technical Data

application
barrier-free
Built-in fitting model
diameter nominal
material
minimum wall thickness
type of mixing
position of power connection
type
type of mounting

washing
No
Built-in section
DN 15
synthetic
80 mm
No
from top
for built-in with box
in-wall installation with box

### Optional Accessories



#### Sliding adhesive flange

**2030041606**  
ACBX9002

#### AQUAFIX Traverse

**2000106019**  
ZCMPX006